

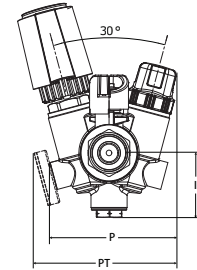
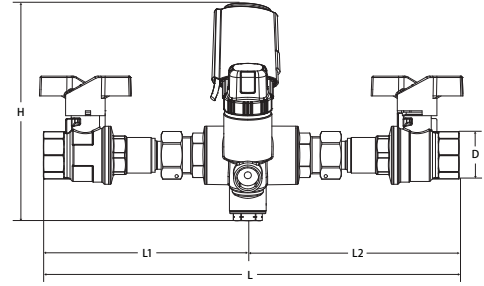
Balancing Valve | RecircSetter™



**Thermostatic Balancing • Variable Set Point • Actuated
Disinfection with Dual Isolation • 150 CWP**



TB-150MG



Features

- Variable temperature set point with protective cap
- Modulates flow to maintain constant temperature in the recirculation loop
- No balancing equipment required
- Heat treated DZR alloy
- 100% Made in Italy
- Drywell with temperature gauge comes standard
- 1/2" NPT temperature port (factory plugged)
- Actuated disinfection axial valve for use with BMS
- Equipped with dual isolation ball valves
- Union connections on the ball valves
- Integrated check valve in downstream isolation valve

Dimensions

| TB-150MG | Part No. | D | L | L1 | L2 | H | I | P | PT |
|----------|---------------|------|------|------|------|------|------|------|------|
| FxF | 180-103MG-A-I | 1/2" | 11.5 | 5.75 | 5.75 | 6.06 | 1.81 | 3.82 | 4.49 |
| FxF | 180-104MG-A-I | 3/4" | 11.5 | 5.75 | 5.75 | 6.06 | 1.81 | 3.82 | 4.49 |

Approvals

- NSF 61 
- NSF 372
- Conforms to ANSI B1.20.1

Temperature and Pressure

- Max Working Pressure: 232 psi
- Max Differential Pressure: 14.5 psi
- Max Working Temperature: 194°F
- Temperature Setting Range: 95°F - 140°F
- C_{vmin} : 0.26
- C_{vmax} : 2.06
- $C_{vdesign}$: 0.55 - 0.58
- $C_{vdisinf}$: 1.16

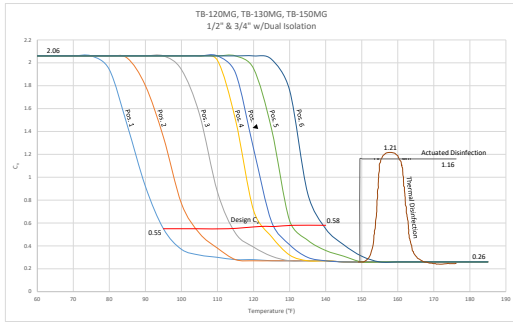


WARNING: This product can expose you to chemicals including lead, which is known to the State of California to cause cancer, birth defects or other reproductive harm. For more information go to www.P65Warnings.ca.gov.

Balancing Valve | RecircSetter™



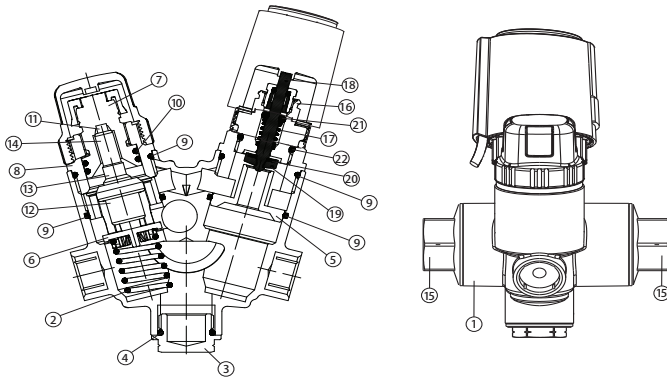
**Thermostatic Balancing • Variable Set Point • Actuated
Disinfection with Dual Isolation • 150 CWP**



| HAND WHEEL SETPOINT TEMPERATURE (°F) | | | | | | | | | |
|--------------------------------------|------|------|------|------|------|-------|------|------|------|
| 95° | 100° | 105° | 110° | 115° | 120° | 125° | 130° | 135° | 140° |
| 1 | 1.6 | 2.1 | 2.7 | 3.2 | 3.8 | ▼ 4.4 | 4.9 | 5.5 | 6 |

TB-150MG Material Specifications

| No. | Part | Material |
|-----|----------------------|--------------------------|
| 1 | Valve Body | LF DZR Brass C27453 |
| 2 | Spring | Stainless Steel AISI 302 |
| 3 | 1/2" Plug | LF DZR Brass C27453 |
| 4 | O-Ring | EPDM |
| 5 | Disinfection Cap | LF DZR Brass C27453 |
| 6 | Piston | PSU |
| 7 | Stem | LF DZR Brass C27453 |
| 8 | Stem Adapter | LF DZR Brass C27453 |
| 9 | O-Ring | EPDM |
| 10 | O-Ring | EPDM |
| 11 | Cartridge Piston | Steel |
| 12 | Cartridge Cup | Brass C22000 |
| 13 | Cartridge Guide | Brass C69300 |
| 14 | Cartridge Sleeve | EPDM |
| 15 | End Connection FNPT | LF DZR Brass C27453 |
| 16 | Axial Valve Body | LF DZR Brass C27453 |
| 17 | Shut-Off Spring | Stainless Steel AISI 302 |
| 18 | Shut-Off Stem | Stainless Steel AISI 304 |
| 19 | Shut-Off Gasket | EPDM |
| 20 | Shut-Off Metal Plate | Brass C38500 |
| 21 | O-Ring | EPDM |
| 22 | O-Ring | EPDM |



TB-150MG Isolation Valve

| No. | Part | Material |
|-----|-------------------|----------------------------|
| 1 | T-Handle | Aluminum |
| 2 | Screw | Steel-Geomet Plated |
| 3 | Stem | LF Brass C28500 |
| 4 | Oring (2) | EPDM |
| 5 | End Connection | LF DZR Brass C27453 |
| 6 | Seat (2) | PTFE G300 |
| 7 | Ball | T.E.A. Coated Brass C28500 |
| 8 | O-Ring | EPDM |
| 9 | Body | LF DZR Brass C27453 |
| 10 | Packing | PTFE G300 |
| 11 | Packing Gland | LF Brass C28500 |
| 12 | Union Gasket | EPDM |
| 13 | Union Nut | LF DZR Brass C27453 |
| 14 | Check O-Ring | EPDM |
| 15 | Check Body | GF Noryl |
| 16 | Spring | Stainless Steel AISI 301 |
| 17 | Check Rod Plunger | GF Noryl |

