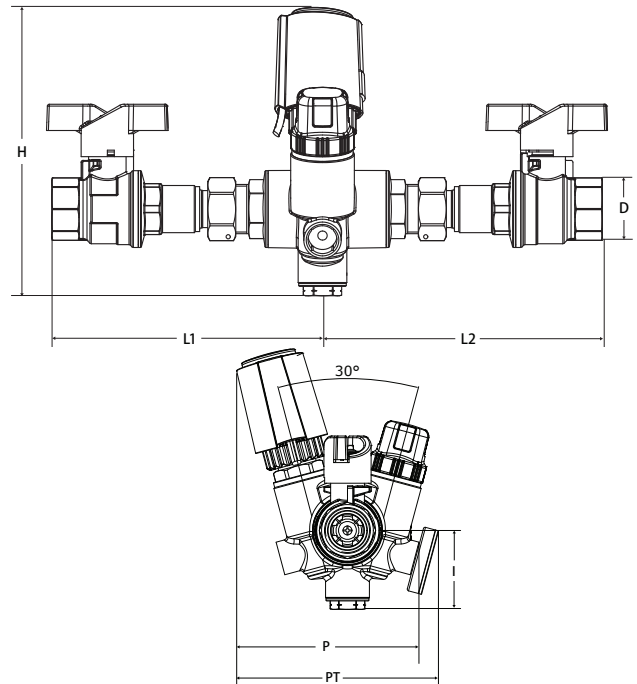


# Balancing Valve | RecircSetter™

Thermostatic Balancing, Variable Set Point, Actuated Disinfection with Dual Isolation and Integrated Filter Ball® Strainer, 150 CWP

## T-150MFG



### FEATURES

- Variable Temperature Set Point with Protective Cap
- Modulates Flow to Maintain Constant Temperature in the Recirculation Loop
- No Balancing Equipment Required
- Heat Treated DZR Alloy
- 100% Made in Italy
- Drywell with Temperature Gauge Comes Standard
- 1/2" NPT Temperature Port (Factory Plugged)
- Actuated Disinfection Axial Valve for Use with BMS
- Equipped with Filter Ball® and Isolation Ball Valves
- Union Connections on the Ball Valves
- Integrated Check Valve in Downstream Isolation Valve

### CERTIFICATIONS/APPROVALS

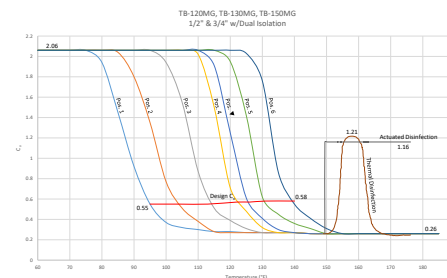
- NSF/ANSI/CAN 61
- NSF/ANSI/CAN 372
- Conforms to ANSI B1.20.1

### PRESSURE/TEMPERATURE RATING

- Max Working Pressure: 232 psi
- Max Differential Pressure: 14.5 psi
- Max Working Temperature: 194°F
- Temperature Setting Range: 95°F - 140°F
- $C_{vmin}$ : 0.18
- $C_{vmax}$ : 1.90
- $C_{vdesign}$ : 0.51 - 0.56
- $C_{vdisinf}$ : 1.16

### DIMENSIONS

Part No	D	L	L1	L2	H	I	P	PT
180-103MFG-A-I	1/2"	10.98	5.71	5.31	6.06	1.81	4.25	4.72
180-104MFG-A-I	3/4"	10.98	5.71	5.31	6.06	1.81	4.25	4.72

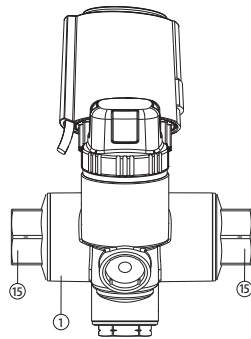
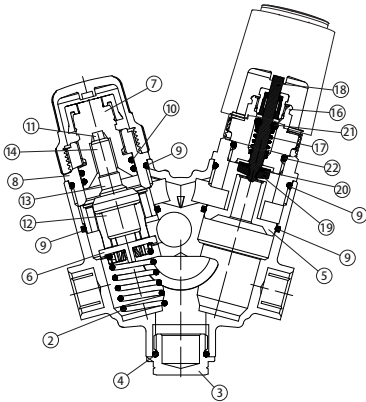


HAND WHEEL SETPOINT TEMPERATURE (°F)									
95°	100°	105°	110°	115°	120°	125°	130°	135°	140°
1	1.6	2.1	2.7	3.2	3.8	▼4.4	4.9	5.5	6

## Balancing Valve | RecircSetter™

Thermostatic Balancing, Variable Set Point, Actuated Disinfection with Dual Isolation and Integrated Filter Ball® Strainer, 150 CWP

### T-150MFG



#### TB-150MFG MATERIALS

No.	Part	Material
1	Valve Body	LF DZR Brass C27453
2	Spring	Stainless Steel AISI 302
3	1/2" Plug	LF DZR Brass C27453
4	O-Ring	EPDM
5	Disinfection Cap	LF DZR Brass C27453
6	Piston	PSU
7	Stem	LF DZR Brass C27453
8	Stem Adapter	LF DZR Brass C27453
9	O-Ring	EPDM
10	O-Ring	EPDM
11	Cartridge Piston	Steel
12	Cartridge Cup	Brass C22000
13	Cartridge Guide	Brass C69300
14	Cartridge Sleeve	EPDM
15	End Connection FNPT	LF DZR Brass C27453
16	Axial Valve Body	LF DZR Brass C27453
17	Shut-Off Spring	Stainless Steel AISI 302
18	Shut-Off Stem	Stainless Steel AISI 304
19	Shut-Off Gasket	EPDM
20	Shut-Off Metal Plate	Brass C38500
21	O-Ring	EPDM
22	O-Ring	EPDM

#### TB-150MFG ISOLATION & FILTER BALL® VALVE MATERIALS

No.	Part	Material
1	T-Handle	Aluminum
2	Screw	Steel-Geomet Plated
3	Stem	Lead Free Brass C28500
4	Isolation O-Ring (2)	EPDM
5	Filter Ball® O-Ring (2)	FKM
6	End Connection	Lead Free DZR Brass C27453
7	Seat (2)	PTFE G300
8	Isolation Ball	T.E.A. Coated Brass C28500
9	Filter Ball® Ball	White Bronze Plated Brass C27453
10	O-Ring	EPDM
11	Body	Lead Free DZR Brass C27453
12	Packing	PTFE G300
13	Packing Gland	Lead Free Brass C28500
14	Union Gasket	EPDM
15	Union Nut	Lead Free DZR Brass C27453
16	Check O-Ring	EPDM
17	Check Body	GF Noryl
18	Sping	Stainless Steel AISI 301
19	Check Rod Plunger	GF Noryl
20	Filter Basket	304 Stainless Steel
21	C-Clip Retainer	Phosphorous Bronze (CuSn6)

