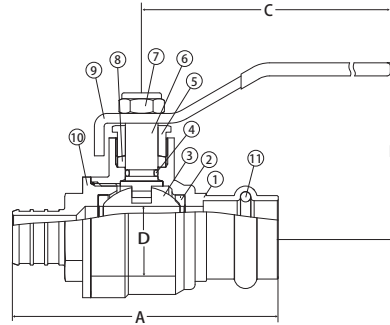


## Lead Free Brass Ball Valve

2 Piece, Press x Crimp Pex Connection, 250 CWP

### T-412G PRESS x CRIMP



#### FEATURES

- Dezincification Resistant Brass Alloy
- Gland Follower and Single O-Ring Stem Design
- Blow-Out Proof Stem
- 100% Leak Tested
- IAPMO Certified - NSF 61 & NSF 372 Certified
- ASTM F1807
- Wetted Surfaces Contain Less than .25% Content

#### CERTIFICATIONS/APPROVALS

- ASTM F1807
- Conforms to IAPMO PS 117
  - NSF 61-8
  - NSF 372
  - Uniform Plumbing Code (cUPC)
    - IAPMO/ANSI Z1157-2014
    - NSF/ANSI 14-2014

#### PRESSURE/TEMPERATURE RATING

- Body rated to 250 CWP
- Crimp Connection Rated to 100 CWP up to 180°F

#### MATERIALS

No.	Part	Material
1	Body	Lead Free Brass - C46500
2	Seat	PTFE
3	Ball	304 Stainless Steel
4	O-Ring	NBR
5	Packing Nut	Brass - C37700
6	Stem	Brass - C37700
7	Handle Nut	Steel - Chrome Plated
8	Packing	PTFE
9	Handle	Steel
10	End Connection	Lead Free Brass - C46500
11	O-Ring	EPDM

#### DIMENSIONS

Part No	Size	A	B	C	D
103-563PG	1/2"	2.89	1.81	3.46	0.47
103-564PG	3/4"	3.21	2.09	4.29	0.67
103-565PG	1"	3.7	2.25	4.29	0.86