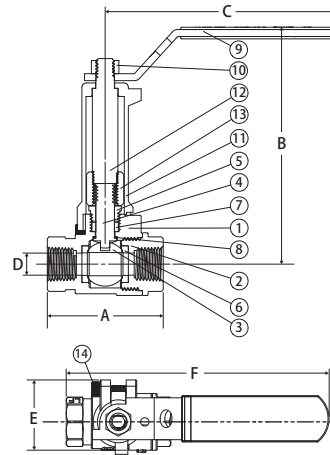


## Lead Free Bronze Ball Valve

2 Piece, Full Port, Threaded Connection, Stainless Steel Trim, Extended Handle, 600 CWP, 150 WSP

### T-200CSSG-EH



#### FEATURES

- Dezincification Resistant Lead Free Bronze
- Blow-Out Proof Stem
- Heavy Commercial Pattern
- 100% Leak Tested
- IAPMO Certified: NSF 61 & NSF 372 & NSF 14
- 29 in-Hg Vacuum Rating
- Wetted Surfaces Contain Less than .25% Lead Content
- Accessories Available

#### CERTIFICATIONS/APPROVALS

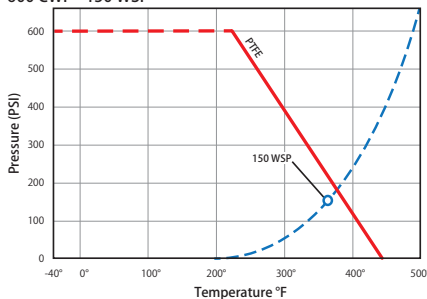
- IAPMO Certified
  - NSF/ANSI/CAN 61-8 2018
  - NSF/ANSI 372-2016
  - IAPMO/ANSI Z1157-2014
  - ASME A112.4.14/CSA B125.14:22
  - NSF/ANSI 14-2016
- Threads According to ANSI B1.20.1
- Meets MSS SP-110

#### PRESSURE/TEMPERATURE RATING

- 100 PSIG at 300°F (up to 2")
- 600 PSIG at Ambient (up to 2")

#### VALVE SEAT RATING

600 CWP - 150 WSP



#### MATERIALS

No.	Part	Material
1	Body	Lead Free Bronze - C89836
2	Tailpiece	Lead Free Bronze - C89836
3	Ball	Stainless Steel 316
4	Stem	Stainless Steel 316
5	Packing Nut	Brass - C36000
6	Seat (2)	PTFE
7	Packing Gland	PTFE
8	Thrust Washer	PTFE
9	Handle	Stainless Steel 304
10	Handle Nut	Stainless Steel 304
11	Extension Pipe	ASTM B584 C85700
12	Extension Stem	Stainless Steel 316
13	Screw Ring	ASTM B16 C36000
14	Screw	Stainless Steel 316

#### DIMENSIONS

Part No	Size	A	B	C	D	E	F
200-401SSG-EH	1/4"	1.97	3.98	3.96	0.37	1.32	4.94
200-402SSG-EH	3/8"	1.97	3.99	3.96	0.37	1.32	4.94
200-403SSG-EH	1/2"	2.43	4.11	3.96	0.5	1.43	5.14
200-404SSG-EH	3/4"	2.79	4.49	4.76	0.75	1.69	6.17
200-405SSG-EH	1"	3.28	4.65	4.76	0.98	1.97	6.41
200-406SSG-EH	1-1/4"	3.69	4.85	5.56	1.26	2.30	7.39
200-407SSG-EH	1-1/2"	4.08	5.43	6.98	1.50	2.65	9.03
200-408SSG-EH	2"	4.59	5.74	6.98	1.97	3.47	9.28