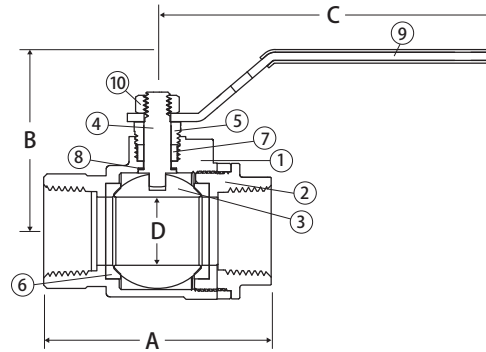


Bronze Ball Valve

2 Piece, Full Port, Threaded Connection, Stainless Steel Trim, 600 CWP, 150 WSP

T-200CSS



FEATURES

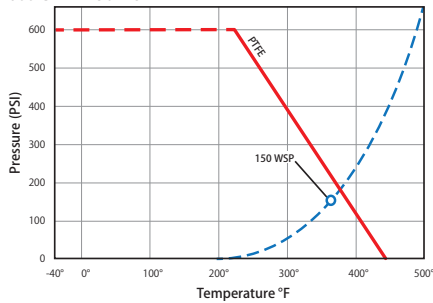
- Dezincification Resistant Bronze
- Blow-Out Proof Stem
- Heavy Commercial Pattern
- 100% Leak Tested
- 29 in-Hg Vacuum Rating

CERTIFICATIONS/APPROVALS

- Threads According to ANSI B1.20.1
- Meets MSS SP-110

VALVE SEAT RATING

600 CWP - 150 WSP



MATERIALS

| No. | Part | Material |
|-----|---------------|---------------------|
| 1 | Body | Bronze - C84400 |
| 2 | Tailpiece | Bronze - C84400 |
| 3 | Ball | Stainless Steel 316 |
| 4 | Stem | Stainless Steel 316 |
| 5 | Packing Nut | Brass - C36000 |
| 6 | Seat (2) | PTFE |
| 7 | Packing Gland | PTFE |
| 8 | Thrust Washer | PTFE |
| 9 | Handle | Stainless Steel 304 |
| 10 | Handle Nut | Stainless Steel 304 |

DIMENSIONS

| Part No | Size | A | B | C | D |
|---------|--------|------|------|------|------|
| 200-701 | 1/4" | 1.97 | 1.87 | 3.97 | 0.37 |
| 200-702 | 3/8" | 1.97 | 1.87 | 3.97 | 0.37 |
| 200-703 | 1/2" | 2.43 | 2.01 | 3.97 | 0.50 |
| 200-704 | 3/4" | 2.79 | 2.46 | 4.78 | 0.75 |
| 200-705 | 1" | 3.28 | 2.62 | 4.78 | 0.98 |
| 200-706 | 1-1/4" | 3.68 | 2.79 | 7.04 | 1.24 |
| 200-707 | 1-1/2" | 4.08 | 4.10 | 7.04 | 1.50 |
| 200-708 | 2" | 4.59 | 4.41 | 7.04 | 1.97 |