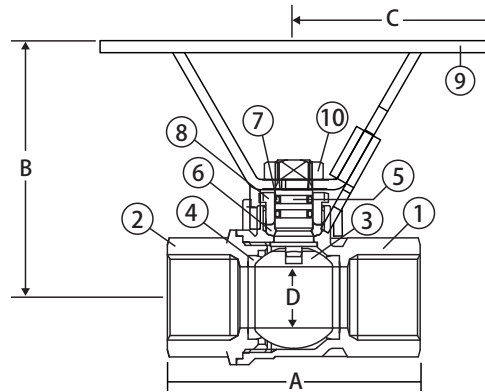


Brass Ball Valve

2 Piece, Full Port, Threaded Connection, Oval Handle, 600 WOG

T-100NE-OH



FEATURES

- Triple Sealing Stem with 2 FKM O-Rings and 2nd Generation PTFE Seal
- Blow-Out Proof Stem
- 100% Leak Tested
- 100% Made in Italy
- Leakproof Stem - Lifetime Warranty
- 29 in.-Hg Vacuum Rating

CERTIFICATIONS/APPROVALS

UL Listed (1/4" - 2")

- MHKZ - Manual Valves
- YQNZ - Compressed Gas Shut-Off Valves
- YRBX - Flammable Liquid Shut-Off Valves
- YRPV - Gas Shut-Off Valves
- YSDT - LP Gas Shut-Off Valves
- SFJQ - Valves, Refrigerant

CSA Certified

- ANSI Z21.15 (.5 PSIG) (1/4" - 3")
- ASME B16.33 (125 PSIG) (1/2" - 2")
- ASME B16.38 (125 PSIG) (2-1/2" - 4")
- CSA 3.16-15 (125 PSI) (1/4" - 4")
- CGA 9.2 (1/4" - 3")

Delta C (3/8" - 3/4")

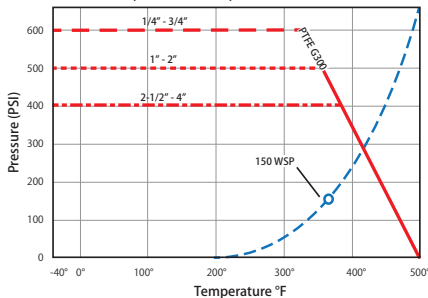
MSS SP-110

ANSI B1.20.1

FM Approval (1/4" - 3/4" 600 WOG, 1" - 2" 500 WOG)

VALVE SEAT RATING

1/4" - 3/4" 600 WOG, 1-2" 500 WOG, 2-1/2" - 4" 400 WOG - 150 WSP



MATERIALS

No.	Part	Material
1	Body	Brass - C37700
2	End Connection	Brass - C37700
3	Ball	T.E.A. Coated Brass - C37700
4	Seat (2)	PTFE G300
5	Stem	Brass - C38500
6	Packing	PTFE G300
7	Stem O-ring (2)	FKM
8	Packing Gland	Brass - C38500
9	Oval Handle	Chrome Plated Steel
10	Handle Nut	Steel - Geomet® Plated

DIMENSIONS

Part No	Size	A	B	C	D	C _v
100-701-OH	1/4"	1.86	2.38	1.75	0.39	7.66
100-702-OH	3/8"	1.86	2.41	1.75	0.39	7.77
100-703-OH	1/2"	2.45	2.52	1.75	0.59	16.82
100-704-OH	3/4"	2.71	3.10	2.26	0.79	34.80
100-705-OH	1"	3.30	3.80	3.14	0.97	52.20
100-706-OH	1-1/4"	3.80	4.12	3.14	1.23	112.52
100-707-OH	1-1/2"	4.16	4.86	3.46	1.49	174.00
100-708-OH	2"	5.00	4.98	3.46	1.99	255.20