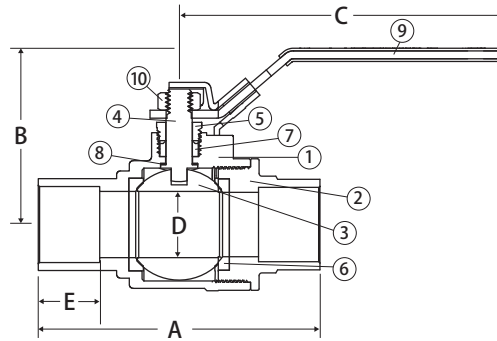


## Bronze Ball Valve

2 Piece, Full Port, Solder Connection, Stainless Steel Trim, Locking Handle, 600 CWP, 150 WSP

### S-200CSS-LH



#### FEATURES

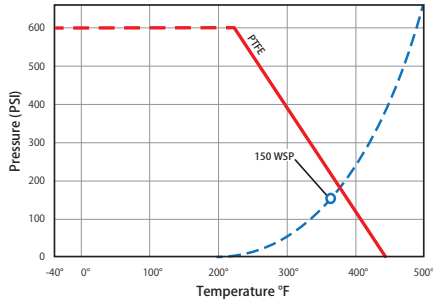
- Dezincification Resistant Bronze
- Blow-Out Proof Stem
- Heavy Commercial Pattern
- 100% Leak Tested
- 29 in-Hg Vacuum Rating

#### CERTIFICATIONS/APPROVALS

- ASME/ANSI B16.18
- Meets MSS SP-110

#### VALVE SEAT RATING

600 CWP - 150 WSP



#### MATERIALS

| No. | Part          | Material            |
|-----|---------------|---------------------|
| 1   | Body          | Bronze - C84400     |
| 2   | Tailpiece     | Bronze - C84400     |
| 3   | Ball          | Stainless Steel 316 |
| 4   | Stem          | Stainless Steel 316 |
| 5   | Packing Nut   | Brass - C36000      |
| 6   | Seat (2)      | PTFE                |
| 7   | Packing Gland | PTFE                |
| 8   | Thrust Washer | PTFE                |
| 9   | Handle        | Stainless Steel 304 |
| 10  | Handle Nut    | Stainless Steel 304 |

#### DIMENSIONS

| Part No    | Size   | A    | B    | C    | D    | E    |
|------------|--------|------|------|------|------|------|
| 200-803-LH | 1/2"   | 2.59 | 2.01 | 3.97 | 0.50 | 0.50 |
| 200-804-LH | 3/4"   | 3.36 | 2.46 | 4.78 | 0.75 | 0.75 |
| 200-805-LH | 1"     | 4.19 | 2.62 | 4.78 | 0.98 | 0.91 |
| 200-806-LH | 1-1/4" | 4.46 | 2.79 | 7.04 | 1.24 | 0.97 |
| 200-807-LH | 1-1/2" | 4.97 | 4.10 | 7.04 | 1.50 | 1.09 |
| 200-808-LH | 2"     | 6.02 | 4.40 | 7.04 | 1.97 | 1.34 |