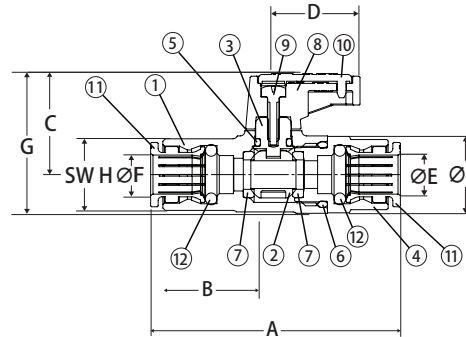


Brass Ball Valve

Mini Valve, 2 Piece, Push Fit x Push Fit Connection, 145 PSI

PF-86-PF



FEATURES

- FKM O-Rings
- Corrosion Resistant
- Applicable in Limited Spaces
- Chrome Plated
- 100% Made in Italy

CERTIFICATIONS/APPROVALS

ANSI B1.20.5

PRESSURE/TEMPERATURE RATING

145 PSI
14°F - 195°F

MATERIALS

No.	Part	Material
1	Body	Chrome Plated Brass CW617N
2	Ball	Nickel Plated Brass CW617N
3	Stem	Brass CW617N
4	Sleeve	Chrome Plated Brass CW617N
5	O-Ring	FKM 70Sh
6	O-Ring	FKM 70Sh
7	Ball Seal	PTFE
8	Handle	Nylon PA6 +30%GF
9	Screw	Steel
10	Clip	Nylon PA6 +30%GF
11	Collet	Nickel Plated Brass CW617N
12	O-Ring	FKM 70Sh

DIMENSIONS

Part No	Size	DN	A	B	C	D	ØE	ØF	G	SW H	ØI
186-530	1/8" PF x 1/8" PF	0.24	1.73	0.87	0.83	0.73	0.13	0.13	1.14	0.55	0.63
186-531	1/4" PF x 1/4" PF	0.24	1.97	0.96	0.83	0.73	0.26	0.26	1.14	0.55	0.63
186-533	3/8" PF x 3/8" PF	0.31	2.05	0.83	0.89	0.73	0.38	0.38	1.26	0.67	0.76