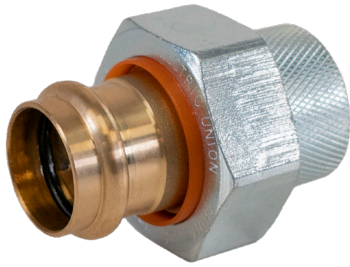


Lead Free Dielectric Union



Press x Galvanized FIP Connection, 250 PSI



Brass Press x Galvanized FIP

Features

- Dezincification Resistant Brass Alloy
- Prevents Accelerated Corrosion
- EPDM Gasket: -20°F to 180°F
- Wetted Surfaces Contain Less than .25% Lead Content

Approvals



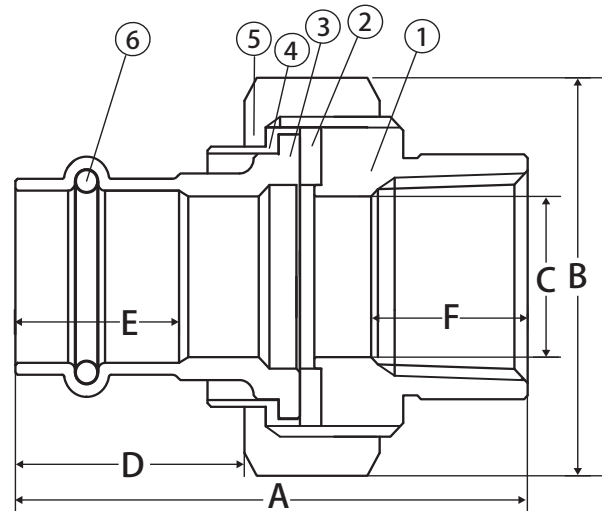
- Conforms to IAPMO PS117
- Conforms to ANSI B1.20.1
- IAPMO Certified
 - NSF 61-8
 - NSF 372
 - Uniform plumbing code (cUPC)
 - IAPMO/ANSI Z1157-2014
 - NSF/ANSI 14-2014

Pressure Rating

- 250 PSI



WARNING: This product can expose you to chemicals including lead, which is known to the State of California to cause cancer, and lead, which is known to the State of California to cause birth defects or other reproductive harm. For more information go to www.P65Warnings.ca.gov.



Material Specifications

No.	Part	Materials
1	Female Fitting	Zinc-Plated Steel
2	Gasket	EPDM
3	Press Fitting	Brass C46500
4	Ring	Polyethylene
5	Nut	Zinc-Plated Steel
6	O-Ring	EPDM

Dimensions

Part No.	Size	A	B	C	D	E	F
701-703G	1/2"	2.48	1.57	0.59	1.15	0.71	0.61
701-704G	3/4"	2.83	1.81	0.83	1.27	0.91	0.83
701-705G	1"	3.01	2.13	1.10	1.26	0.92	0.98
701-706G	1-1/4"	3.25	2.48	1.26	1.24	1.02	1.10
701-707G	1-1/2"	3.44	2.91	1.65	1.42	1.42	1.18
701-708G	2"	4.02	3.46	2.09	1.83	1.77	1.26