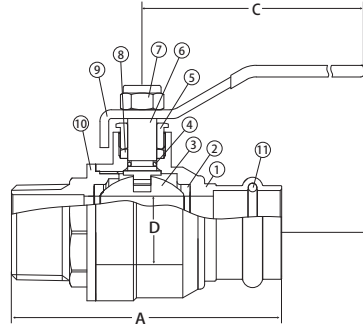


Lead Free Brass Ball Valve

2 Piece, Full Port, Press x MIP Connection, 250 WOG

JP-150G PRESS x MIP



FEATURES

Dezincification Resistant Brass Alloy
 Gland Follower and Single O-Ring Stem Design
 Blow-Out Proof Stem
 IAPMO Certified - NSF 61 & NSF 372 Certified
 Wetted Surfaces Contain Less than .25% Content

CERTIFICATIONS/APPROVALS

Conforms to IAPMO PS 117
 Conforms to ANSI B1.20.1
 IAPMO Certified

- NSF 61-8
- NSF 372
- Uniform Plumbing Code (cUPC)
 - IAPMO/ANSI Z1157-2014
 - NSF/ANSI 14-2014

PRESSURE/TEMPERATURE RATING

250 CWP
 Max. 250°F

MATERIALS

No.	Part	Material
1	Body	Lead Free Brass - C46500
2	Seat	PTFE
3	Ball	304 Stainless Steel
4	O-Ring	NBR
5	Packing Nut	Brass - C37700
6	Stem	Brass - C37700
7	Handle Nut	Steel - Chrome Plated
8	Packing	PTFE
9	Handle	Steel - Chrome Plated
10	End Connection	Lead Free Brass - C46500
11	O-Ring	EPDM

DIMENSIONS

Part No	Size	A	B	C	D
150-573G	1/2"	2.95	1.81	3.46	0.59
150-574G	3/4"	3.52	2.09	4.29	0.75
150-575G	1"	4.07	2.25	4.29	0.98