

# Lead Free Brass Ball Valve

2 Piece, Full Port, Compression Connection, Stainless Steel Trim, 600 WOG

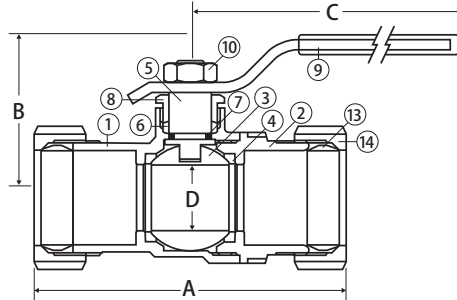
## C-402G



WITH DRAIN



WITHOUT DRAIN



### FEATURES

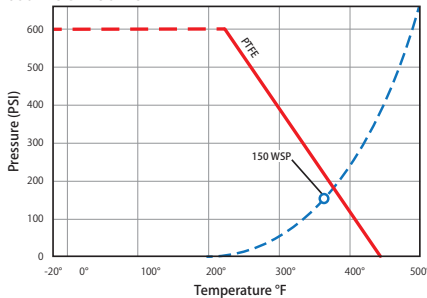
- Dezincification Resistant Brass Alloy
- Gland Follower and Single O-Ring Stem Design
- Drain Prevents Freeze-Up
- Eliminates Seat Damage During Soldering
- Blow-Out Proof Stem
- IAPMO Certified - NSF 61 & NSF 372 Certified
- Wetted Surfaces Contain Less than .25% Content

### CERTIFICATIONS/APPROVALS

- IAPMO Certified
  - NSF/ANSI 372-2020
  - NSF/ANSI/CAN 61-2019
  - Uniform Plumbing Code (cUPC) (1/2" - 2")
    - IAPMO/ANSI Z1157-2014e1 (R2019)
    - NSF/ANSI 14-2018

### VALVE SEAT RATING

600 WOG - 150 WSP



### MATERIALS

No.	Part	Material
1	Body	Lead Free Brass - C46500
2	End Connection	Lead Free Brass - C46500
3	Ball	304 Stainless Steel
4	Seat (2)	PTFE
5	Stem	304 Stainless Steel
6	Packing	PTFE
7	Stem O-ring	Buna-N
8	Packing Gland	Lead Free Brass - C46500
9	Handle	Steel - Chrome Plated
10	Handle Nut	Steel - Chrome Plated
11	Flat Washer*	Buna-N
12	Bleeder Cap*	Lead Free Brass - C46500
13	Compression Ring	Lead Free Brass - C46500
14	Compression Nut	Lead Free Brass - C46500

\*Not Shown in Drawing

### DIMENSIONS

Part No	Size	A	B	C	D
WITH DRAIN					
102-653G	1/2"	2.99	1.8	3.55	0.5
102-654G	3/4"	3.39	2.1	4.5	0.75
102-655G	1"	4	2.3	4.5	1
WITHOUT DRAIN					
102-663G	1/2"	2.99	1.8	3.55	0.5
102-664G	3/4"	3.39	2.1	4.5	0.75
102-665G	1"	4	2.3	4.5	1