

Butterfly Valve

Lug Style, Epoxy-Coated Ductile Iron Body, Stainless Steel Disc

BFV - LUG



FEATURES

- Epoxy-Coated Finish
- NSF EPDM, PTFE, Buna-N, Viton®, or Non-NSF EPDM Seats Available
- Square Stem for Direct Mount
- Ideal for Mounting Pneumatic/Electrical Actuators
- Easily Accepts Actuator with ISO 5211 Mounting Flange
- Seat-to-Flange Seal Eliminates Need for Flange Gaskets
- Designed for Commercial and Industrial Applications up to 225 PSI
- Bidirectional for Dead End Service
- NSF 61 & NSF 372 Certified: 2" - 24" (NSF EPDM Seat Only)
- Meets API 609 & MSS SP-67
- Wetted Surfaces Contain Less than .25% Lead Content

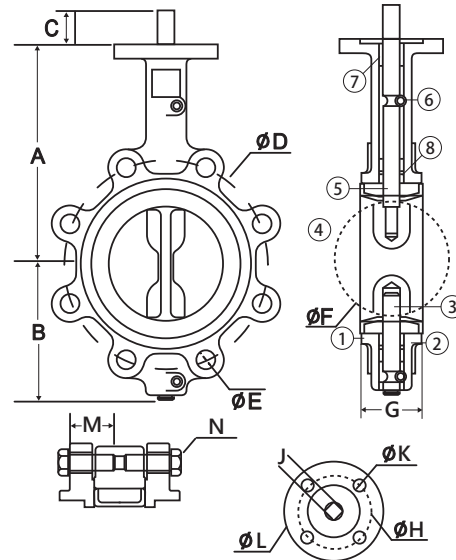
CERTIFICATIONS/APPROVALS

- API 609
- MSS SP-67
- NSF 61 & NSF 372*

DIMENSIONS

Part No	Size	A	B	C	D	E	F	G	H	J	K	L	M	N	Weight	90° C _v	ISO Type
600-02DS_L	2"	6.34	3.46	1.26	4.74	4 : 5/8"	2.07	1.65	1.97	0.35	4 : 0.28	3.03	1.50	5/8-11UNC	9.7	135	F05
600-212DS_L	2-1/2"	6.89	3.82	1.26	5.50	4 : 5/8"	2.54	1.77	1.97	0.35	4 : 0.28	3.03	1.50	5/8-11UNC	11.02	220	F05
600-03DS_L	3"	7.13	4.06	1.26	6.00	4 : 5/8"	3.10	1.77	1.97	0.35	4 : 0.28	3.03	1.50	5/8-11UNC	12.13	302	F05
600-04DS_L	4"	7.87	4.80	1.26	7.50	8 : 5/8"	4.09	2.03	2.76	0.43	4 : 0.35	3.54	1.75	5/8-11UNC	18.3	600	F07
600-05DS_L	5"	8.39	5.31	1.26	8.50	8 : 3/4"	4.85	2.17	2.76	0.55	4 : 0.35	3.54	1.75	3/4-10UNC	24.14	1022	F07
600-06DS_L	6"	8.90	5.79	1.26	9.51	8 : 3/4"	6.13	2.17	2.76	0.55	4 : 0.35	3.54	2.00	3/4-10UNC	26.14	1579	F07
600-08DS_B	8"	10.24	7.20	1.61	11.75	8 : 3/4"	7.97	2.36	4.02	0.67	4 : 0.47	4.92	2.00	3/4-10UNC	41.6	3136	F10
600-10DS_G	10"	11.50	7.99	1.61	14.25	12 : 7/8"	9.86	2.64	4.02	0.87	4 : 0.47	4.92	2.25	7/8-9UNC	77.16	5340	F10
600-12DS_G	12"	13.27	9.53	1.61	17.01	12 : 7/8"	11.87	2.97	4.02	0.87	4 : 0.47	5.51	2.50	7/8-9UNC	111.55	8250	F10
600-14DS_G	14"	14.49	10.71	1.77	18.74	12 : 1"	13.12	2.97	4.02	0.87	4 : 0.47	5.51	2.50	1-8UNC	154.32	11917	F10
600-16DS_G	16"	15.75	13.11	2.02	21.26	16 : 1"	15.34	4.02	5.51	1.06	4 : 0.71	6.89	3.00	1-8UNC	264.55	16388	F14
600-18DS_G	18"	16.54	14.33	2.02	22.76	16 : 1-1/8"	17.34	4.49	5.51	1.06	4 : 0.71	6.89	3.50	1-1/8-7UNC	326.28	21705	F14
600-20DS_G	20"	18.90	15.31	2.53	25.00	20 : 1-1/8"	19.35	5.00	5.51	1.42	4 : 0.71	6.89	4.00	1-1/8-7UNC	473.99	27908	F14
600-24DS_G	24"	22.13	17.83	2.76	29.51	20 : 1-1/4"	23.33	5.94	6.50	1.42	4 : 0.91	10.88	4.50	1-1/4-7UNC	650.36	43116	F16
600-30DS_G	30"	25.98	21.23	2.76	35.98	28 : 1-1/4"	29.3	6.57	10.00	1.77	8 : 0.71	11.81	2.76	1-1/4-7UNC	939.17	58875	F25
600-36DS_G	36"	28.35	25.84	2.76	42.76	32 : 1-1/2"	34.04	7.99	10.00	2.17	8 : 0.71	11.81	3.54	1-1/2-6UNC	1604.96	86375	F25

*U-type Butterfly Valve, dimensions and drawings available upon request.



MATERIALS

No.	Part	Material
1	Body	Ductile Iron - Epoxy Coated
2	Seat	"Varies"
3	Lower Shaft*	410 Stainless Steel
4	Disc	CF8M Stainless Steel
5	Upper Shaft	410 Stainless Steel
6	Locating Pin (2)	Carbon Steel
7	Bushing (3)	PTFE
8	O-ring (2)	EPDM

Note: 2" - 12" only, 14" - 36" are pin through shaft style


WARNING: This product can expose you to chemicals including lead, which is known to the State of California to cause cancer, birth defects or other reproductive harm. For more information go to www.P65Warnings.ca.gov.



SEAT TEMPERATURE RANGES

	Size	EPDM	PTFE	Buna-N	Viton®
Temperature Range (°F)	2" - 36"	-30° to 250°	-20° to 250°	10° to 180°	10° to 300°
Inline Service (PSI)	2" - 12"	225	225	225	225
	14" - 36"	150	150	150	150
Dead End Service w/ Down Stream Flange (PSI)	2" - 12"	225	150	225	225
Dead End Service w/o Down Stream Flange (PSI)	2" - 12"	150	150	150	150

When ordering Butterfly Valves, please specify the seat in the _ space with the following letter designations:	E = EPDM (NSF Certified)	P = PTFE	B = BUNA	V = VITON®	C = Non-NSF EPDM
When ordering Butterfly Valves, please specify the handle with the following letter designations:	L = Lever Handle	B = Bare Stem	G = Gear Operator		

 WARNING: This product can expose you to chemicals including lead, which is known to the State of California to cause cancer, birth defects or other reproductive harm. For more information go to www.P65Warnings.ca.gov.