



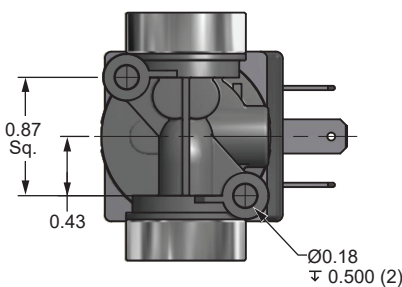
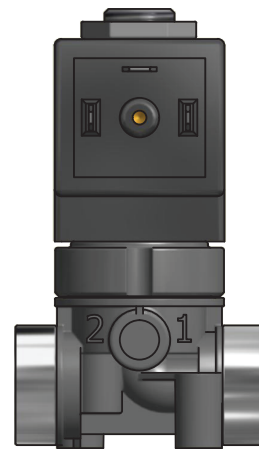
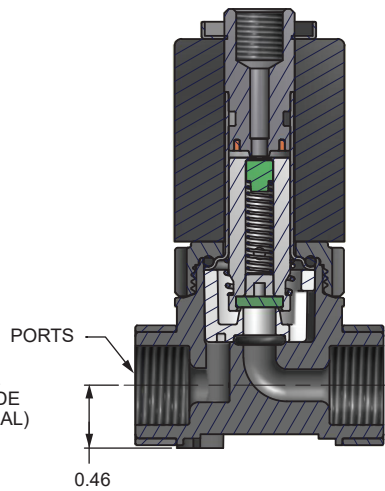
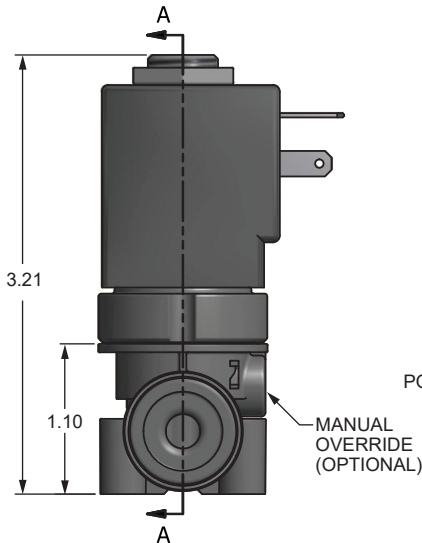
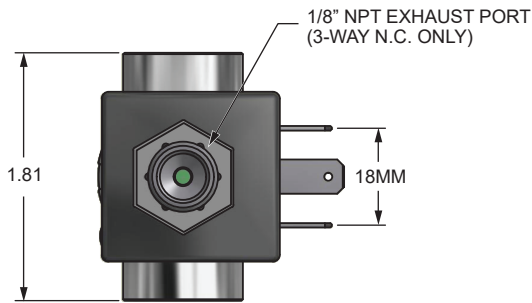
# Series 6200

Direct Acting  
2-Way & 3-Way

The Spartan Scientific Series 6200 is a 2-Way or 3-Way, 2-Position direct acting solenoid valve utilizing a long life spring compensated solenoid poppet at the heart of an all stainless steel solenoid operator (430FR and 316SS). Standard body material is Glass-Filled Nylon. With orifice sizes ranging from 0.8mm up to 6.0mm standard, the 6200 valve can handle a wide variety of flow rates as well as pressure ranges from 0 to 250PSI in various versions. Offered with or without manual override, the Series 6200 employs use of the orifice basket design unique to Spartan valves which allows for quick change-over for production of any orifice size as standard. This aids in versatility of valve manufacture and increases valve availability. The composite valve body is of robust design and is compatible with liquids and gases at lowest possible cost. The ports available are 1/8", 1/4", 3/8" NPT standard. All common voltages are offered as well as electrical connection styles which include a DIN 43650 spaded coil as well as flying lead styles. Coils are sealed to IP 65. Valve functions include Normally Closed, Normally Open, Mixing and Diverting.

## Dimensional Data

ALL DIMENSIONS ARE IN INCHES UNLESS OTHERWISE NOTED  
3/2 WAY VERSION SHOWN



### ORIFICE SIZE / VOLTAGE

FUNCTION	0.8mm		1.6mm		2.0mm		2.4mm		3.0mm		4.0mm		5.0mm		6.0mm	
	AC	DC	AC	DC	AC	DC	AC	DC	AC	DC	AC	DC	AC	DC	AC	DC
2/2 NC	250	250	250	250	250	250	250	250	250	150	75	80	50	50	40	30
2/2 NO	250	250	250	250	N/A	N/A	150	120	90	82	N/A	N/A	N/A	N/A	N/A	N/A
3/2 NC	250	250	220	220	N/A	N/A	150	120	90	82	60	50	40	40	30	20
3/2 NO	250	250	215	215	N/A	N/A	150	120	105	90	N/A	N/A	N/A	N/A	N/A	N/A
3/2 MIX	210	210	110	110	N/A	N/A	60	60	40	40	N/A	N/A	N/A	N/A	N/A	N/A
3/2 DIV	250	250	160	160	N/A	N/A	120	120	85	80	N/A	70	N/A	N/A	N/A	N/A

MAX. PRESSURE RANGE (psi)



# Series 6200

Direct Acting  
2-Way & 3-Way

## Technical Data

<b>Function:</b>	2-Way, 2-Position; Direct Acting; Diverting, Mixing Normally Closed, or Normally Open. 3-Way, 2-Position; Direct Acting; Diverting, Mixing Normally Closed, or Normally Open.	<b>Environment Protection:</b>	IP65 (IEC 144), NEMA 4 Dust-tight and water resistant (with electrical connector)
<b>Port Sizes:</b>	1/8" NPT 1/4" NPT 3/8" NPT	<b>Mounting:</b>	Ø0.180 x 0.500" deep, for #10 thread forming screws (2); not included
<b>Orifice Sizes / Flow Factor:</b>	0.8mm / 0.03 Cv 1.6mm / 0.12 Cv 2.0mm / 0.17 Cv 2.4mm / 0.24 Cv 3.0mm / 0.31 Cv 4.0mm / 0.52 Cv 5.0mm / 0.61 Cv 6.0mm / 0.72 Cv	<b>Wetted Materials:</b>	Elastomers: EPDM, FKM, NBR Operator: 300 and 400 Series Stainless Steel Shading Ring: Copper (AC Only) Springs: 300 Series Stainless Steel Valve Body: Glass-filled Nylon
<b>Pressure Range:</b>	Vacuum to 250 psi (depending on orifice size and function)	<b>Coil Data:</b>	Duty Cycle: Continuous (within specifications) Encapsulation: Glass-Filled Nylon Insulation: Class F Power Rating: 10 Watts VDC, 11.5 VA 60 Hz VAC (others available on request) Voltage: 6, 12, 24 VDC 24, 120, 220, 240 VAC 50/60 Hz Voltage tolerance: +/- 10% Nominal Winding: Class H
<b>Temp. Range:</b>	Fluid Max.: +60°C Dry Range: Ambient +10° to +50°C	<b>Connections:</b>	Spades: Accordance with DIN 43650 Form "A" / ISO 4400, EN175301-803:2006 Flying Lead: PVC, 22 AWG, Multi-Strand Copper Wire, 300V, 12" minimum length
<b>Response Time:</b>	16 to 40 ms Complete Cycle	<b>Package Weight:</b>	0.57 lbs.
<b>Media:</b>	Air, caustics, inert gases, oil, water (contact factory for compatibilities)		
<b>Manual Override:</b>	Push button; or Turn lock		

DIRECT ACTING

## How To Order

