

**5JFAC SERIES**

**FIELD BUS ADAPTER  
SOLENOID VALVE CONNECTORS**

**General Description**

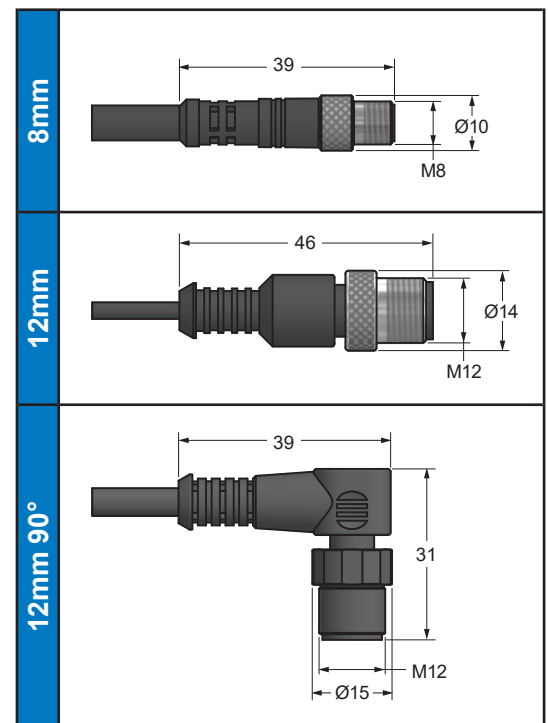
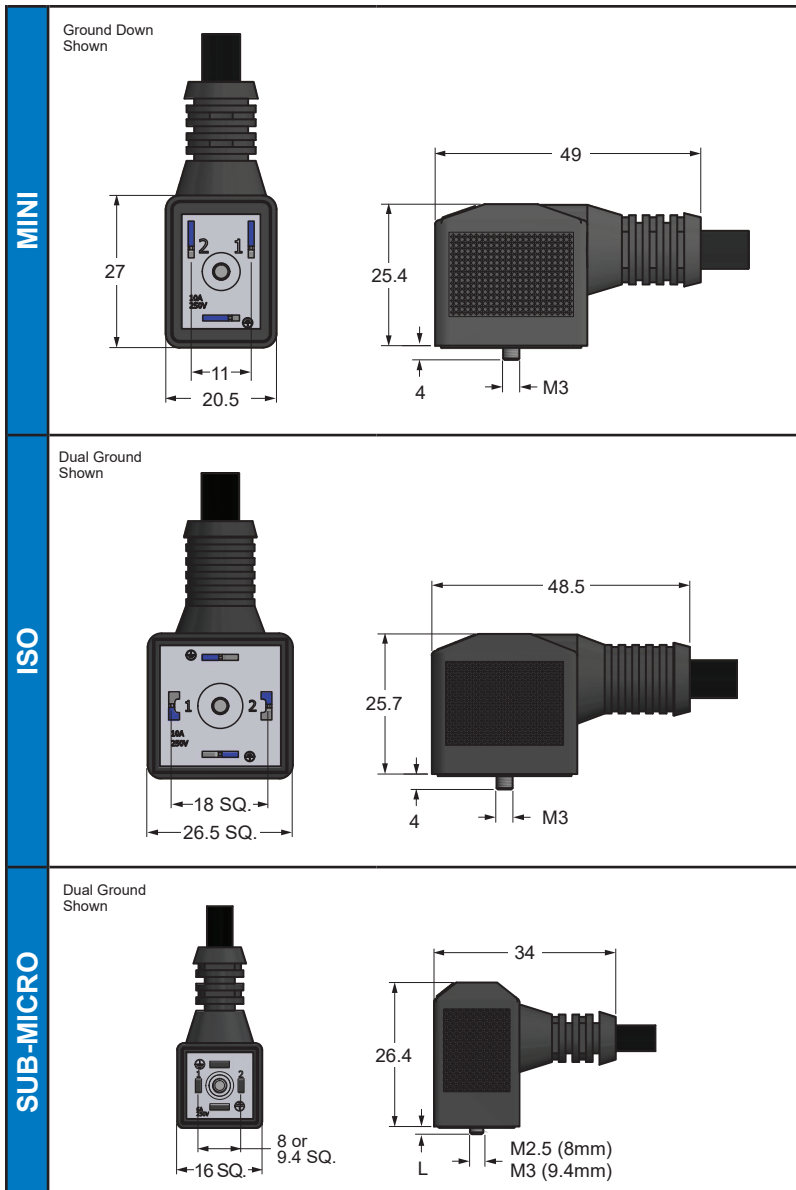
The Canfield Connector 5JFAC Series all-molded DIN solenoid valve connector/gasket/cord offer a completely molded plug and play design that interfaces female ISO DIN Style "A" EN175301-803 (Formerly DIN 43650), MINI and 9.4mm (Industry Standard) and 8mm Sub-Micro (DIN 43650 "C") solenoid connections to 8mm or 12mm (round) circular connectors as shown on the following pages. Made from rugged yet flexible polyurethane, the connector housing boasts high durability factors and application versatility. The low profile "90°" interface/cord configuration allows for installation in many limited space applications. The integrated gasket design boasts an IP67/NEMA 6 rating, is far better for environmental integrity than field wire versions and makes it impossible to lose the gasket! The 5FFAC and 5JFAC are the only molded valve connectors in the industry that feature bi-directional indicator lights and load suppression (not intended for UL 1449). The 5JFAC Series is proudly made in the U.S.A.

**Dimensional Data**

ALL DIMENSIONS ARE IN MILLIMETERS UNLESS OTHERWISE NOTED



ISO, Lighted, M8 Straight version shown above



## Technical Data

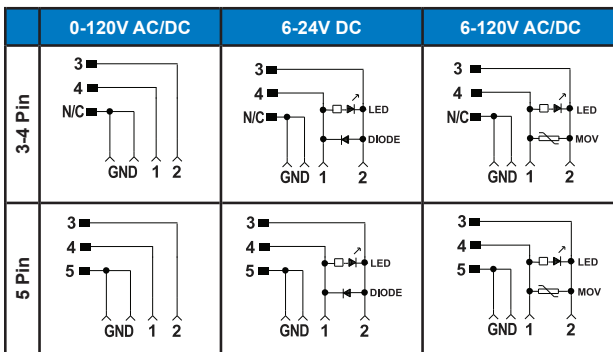
<b>Current Max.</b>	Continuous: 4 Amps Inrush: 10 Amps for 15 ms
<b>Voltage Max.</b>	120 V AC/DC 50/60 Hz
<b>Voltage Drop</b>	2.2 Volts Max.
<b>Materials</b>	Enclosure: Polyurethane (Black or Translucent) Gasket: Polyurethane
<b>Temperature Range</b>	-25° to +80°C
<b>Environmental Protection</b>	IP 67 AND NEMA 6, Dust tight and water resistant
<b>Cable Type</b>	Pressure extruded PVC jacket or PUR with & without shield (Others available on request)
<b>Size</b>	ISO: 18mm pin spacing - DIN Style "A" EN175301-803 MINI: 11mm pin spacing - Industry Standard Sub-Micro: 8mm pin spacing - DIN Style "C" EN 175301-803 Sub-Micro: 9.4mm pin spacing - Industry Standard
<b>Number of Contacts</b>	2+ ground

## Wiring Information

TERMINAL CONFIGURATION		
Wire Type	EUR	US / HU
⊖ Chassis Ground	YEL & GRN	GRN
(+) Pos. / Hot Pin 1	BRN	BLK
(-) Neg. / Neut. Pin 2	BLU	WHT
Signal Pin 3	BLK	RED

NOTE: Slight discoloration may occur to translucent material after prolonged exposure to UV rays.  
NOTE: When using MAC Valves with MINI and 9.4mm Sub-Micro, consult our factory.

## Circuit Types



## Pin Configuration



3 Pin 8mm  
Male Input  
A-Coding



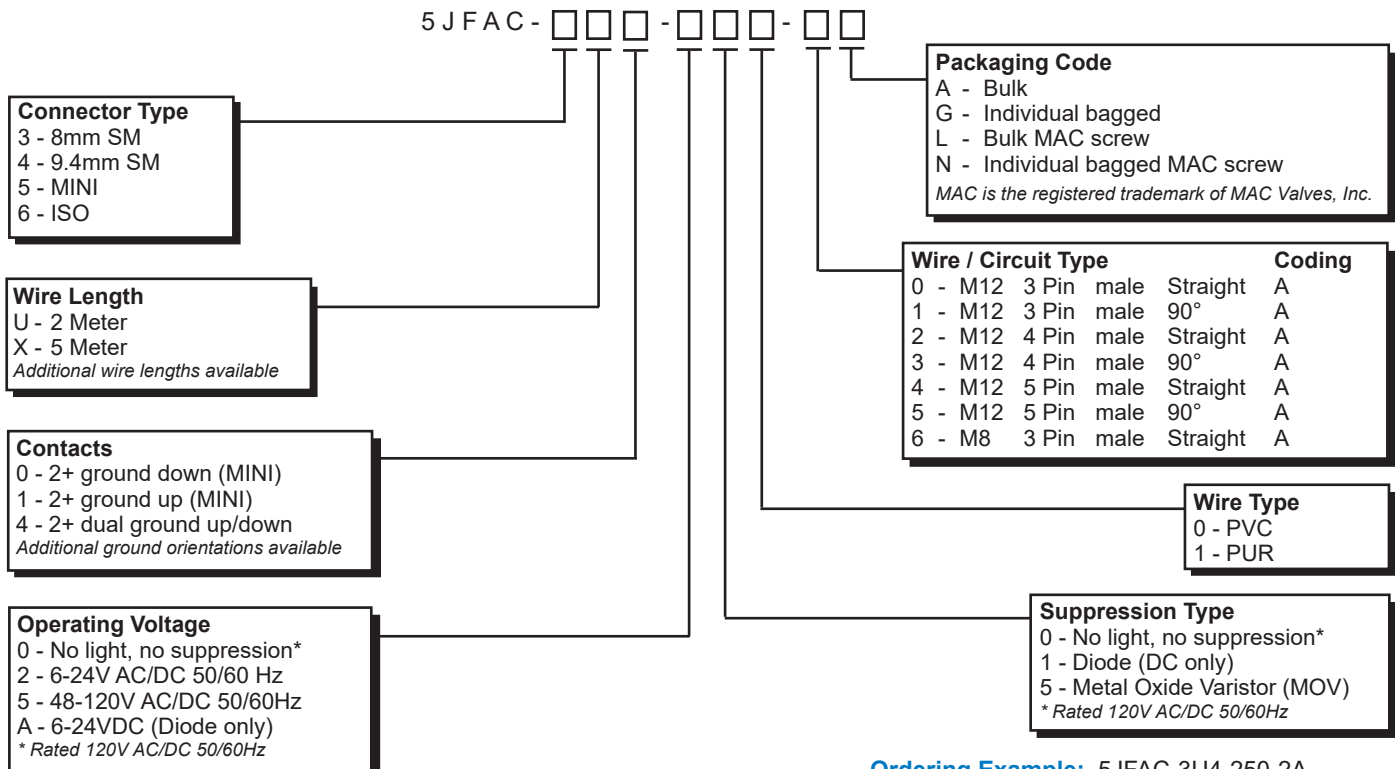
4 Pin 8mm  
Male Input  
A-Coding



12mm  
Male Input  
A-Coding

## Ordering Guide

All connectors come standard with integrated gasket and screw.



**Ordering Example:** 5JFAC-3U4-250-2A

8mm SM, 2 meter wire length, 2+ dual ground up/down, 6-24V AC/DC 50/60 Hz, lighted, MOV, PVC wire type, M12, 4 pin, male, Straight, Bulk