



GENERAL DESCRIPTION

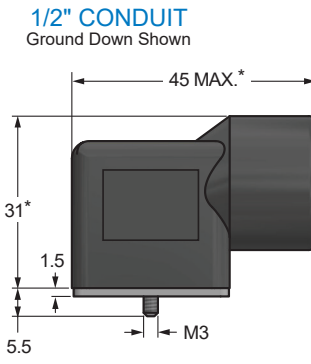
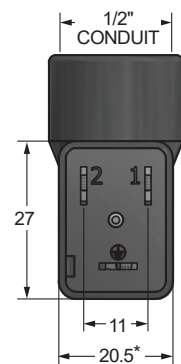
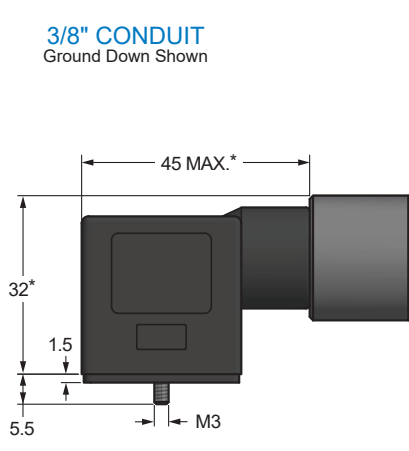
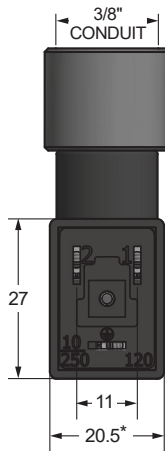
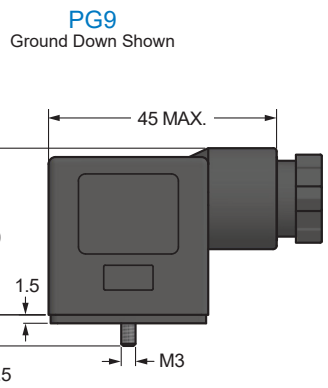
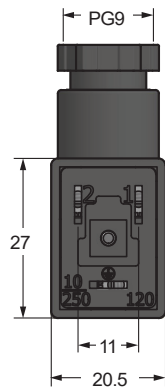
The Canfield Connector 5000 Series field wireable MINI solenoid valve connector is a high quality interconnection device for use with solenoid valves and pressure switches. The connector features a PG9 strain relief, 3/8" or 1/2" conduit wire pass through, all with screw terminals for wire connections. The MINI accommodates wire from .240" to .410" diameter as a standard with an AWG of 14 maximum. Environment resistance of NEMA 4 / IP 65 along with versions which are CSA approved ensure long trouble free service. Current maximum of 10 Amps and the temperature rating of -40° to +125°C encompasses most applications. The interface is an industry standard.



MINI PG9, Unlighted version shown above

DIMENSIONAL DATA

All dimensions are in millimeters unless otherwise noted.




*Dimensions subject to change notice. For critical specifications, contact factory.

TECHNICAL DATA

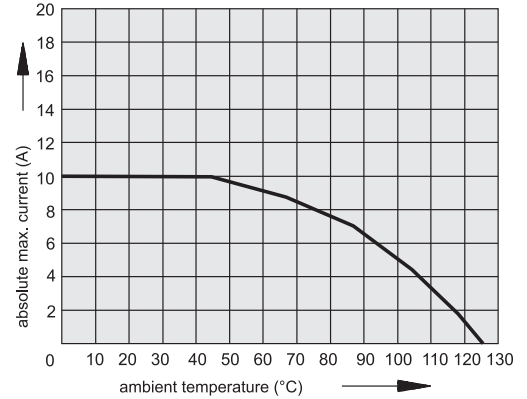
| | |
|---------------------------------|---|
| Current Max. | 10 Amps |
| Voltage Max. | 250 VAC 50/60 Hz, 300 VDC |
| Materials | Housing: Black; Gray; Translucent (lighted versions) |
| Gasket Temperature Max. | Nitrile: -25° to +90°C Silicone: -40° to +125°C |
| Environmental Protection | Designed for IP 65 / NEMA 4 Dust tight and water resistant |
| Cable Diameter | PG9 0.236" to 0.315" O.D. 3/8" Conduit 0.410" max. 1/2" Conduit 0.410" max. |
| Wire Gauge Max. | 14 AWG |
| Size | MINI: 11mm pin spacing - Industry Standard |
| Number of Contacts | 2+ ground |

NOTE: Slight discoloration may occur to translucent material after prolonged exposure to UV rays.

WIRING INFORMATION

| Terminal Configuration | |
|---|------------------|
|  | Chassis Ground |
| 1 | (+) Pos. / High |
| 2 | (-) Neg. / Neut. |

DERATING CURVE



ORDERING INFORMATION

Each connector kit contains screw, washer and gasket assembly.



Use a prefix of "G" for Individually Bagged

5 0 - 0 0 0 0 0 0

Orientation

1 - Ground down
Additional ground orientations available

Lighting Option

0 - Unlighted
3 - 6 - 48V AC/DC 50/60 Hz
7 - 48 - 120 VDC
100 - 240 VAC 50/60 Hz

Gasket

1 - Nitrile
2 - Silicone
3 - Nitrile profile

Housing Color

0 - Black "B" standard. Translucent if lighted.
1 - Gray "A"

Connector Types

01 - MINI strain relief PG9
02 - MINI 3/8" conduit
03 - MINI 1/2" conduit



Consult factory for available versions listed by Canadian Standards Association for use with certified electrical equipment.

Ordering Example: 5100-1010000

Ground down, unlighted, nitrile gasket, MINI strain relief PG9 connector, black house