



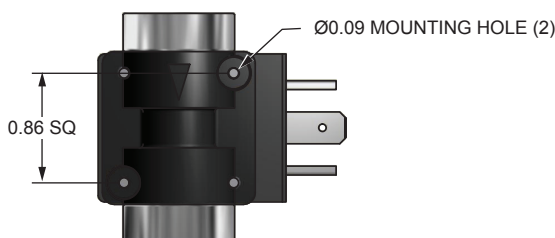
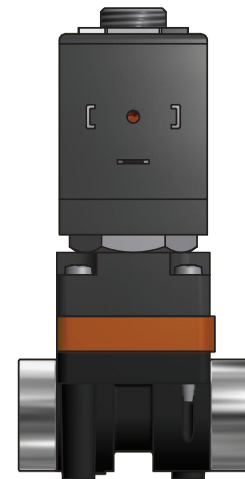
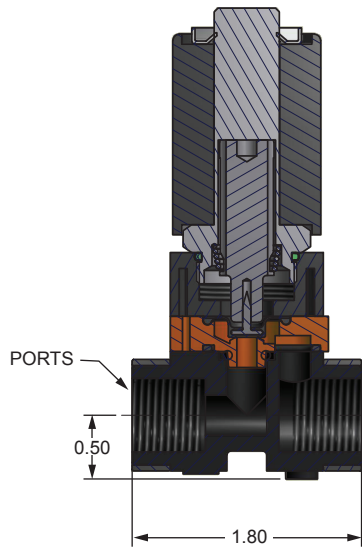
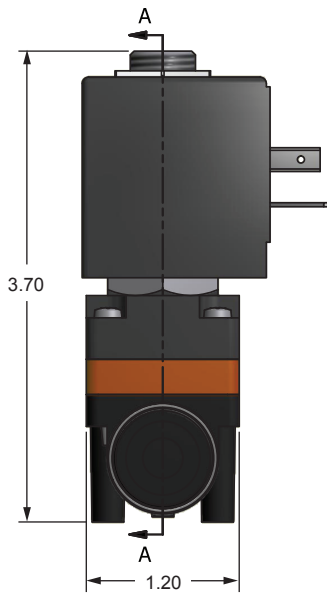
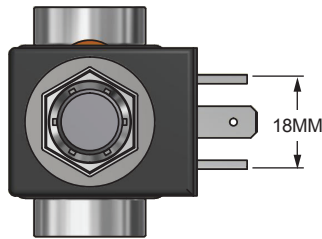
# Series 4B23

Media Separated  
2-Way In Line Body

The Spartan Scientific Series 4B23 is a media separated, 2-Way 2-Position solenoid operated valve where the media remains isolated from the metal working components within the valve. This creates a barrier to contamination to both the fluid and the operator which serves two purposes. The media remains untainted by the metals in the operator while the close tolerance moving parts of the valve are insulated from the effects of particulates, aggressive chemicals which can affect long term life of solenoid valves. The 4B23 is available in 1/4" or 3/8" NPT connections with orifice ranges from 2.0mm to 5.0mm which gives the 4B23 great flow and operating pressure ranges to meet differing applications. The 4B23 features a DIN quick connect coil or flying leads connection. The valve is designed for long trouble free life with the incorporation of a rolling type diaphragm, life cycle proven metal operator components and a fully encapsulated coil system. The Valve is available in Normally Closed or Normally Open configurations and has two body ports for convenient fluid connection.

## Dimensional Data

ALL DIMENSIONS ARE IN INCHES UNLESS OTHERWISE NOTED



MEDIA  
SEPARATED



# Series 4B23

Media Separated  
2-Way In Line Body

## Technical Data

**Function:** 2-Way, 2-Position; Direct Acting; Media Separated Solenoid; Normally Closed, Normally Open

**Port Size:** 1/4" - 18 NPT  
3/8" - 18 NPT

**Orifice Size / Flow Factor:** 2.0mm / 0.17 Cv  
2.4mm / 0.24 Cv  
3.0mm / 0.31 Cv  
4.0mm / 0.52 Cv  
5.0mm / 0.62 Cv

**Pressure Range:** Vacuum to 120 psi (depending on orifice size and function)

**Temp. Range:** Fluid max.: +60°C  
Dry Range: Ambient +10° to +50°C

**Response Time:** 18 - 26ms Complete Cycle

**Media:** Air, ideal gases, medical fluids, oils (contact factory for compatibilities)

**Environment Protection:** IP65 (IEC 144), NEMA 4  
Dust-tight and water resistant (with electrical connector)

**Mounting:** Ø0.116" for #4 self-tapping screws (not included)

**Wetted Materials:** Elastomers: EPDM, FKM, or NBR  
Orifice Plate: PEI  
Valve Body: PEI

**Coil Data:** Duty Cycle: Continuous (within specifications)  
Encapsulation: Glass-Filled Nylon  
Insulation: Class F  
Power Rating: 10 Watt VDC, 8 Watt VAC (others available on request)  
Voltage: 6, 12, 24 VDC  
24, 120, 220, 240VAC 50/60 Hz  
Voltage tolerance: +/- 10% Nominal  
Winding: Class H

**Connections:** DIN Spades: Accordance with DIN 43650 Form "A" / ISO 4400, EN175301-803;2000  
Flying Lead: PVC 18 AWG, Multi-Strand Copper Wire, 300V, 12" Length

**Packaged Weight:** 0.55 lbs.

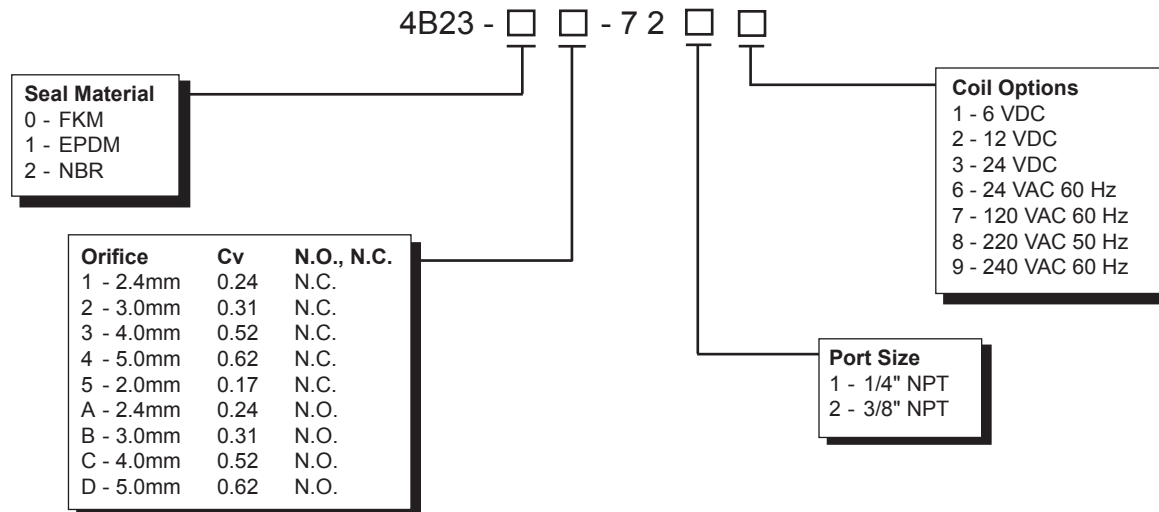
ORIFICE SIZE / VOLTAGE

FUNCTION	2.0mm		2.4mm		3.0mm		4.0mm		5.0mm	
	AC	DC	AC	DC	AC	DC	AC	DC	AC	DC
2/2 NC	120	120	120	120	75	60	55	45	30	20
2/2 NO	N/A	N/A	80	75	60	55	45	40	40	35

\*MAX. PRESSURE RANGE (psi)

\*Note - Maximum allowable back pressure is 20 psi regardless of voltage.

## How To Order



Order Example: 4B23-01-7211  
FKM, 2.4mm / 0.24 N.C.,  
1/4" NPT, 6 VDC.