



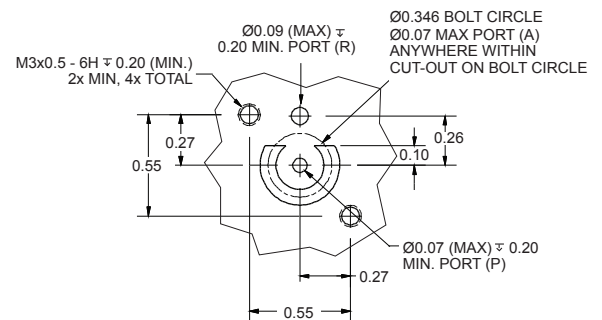
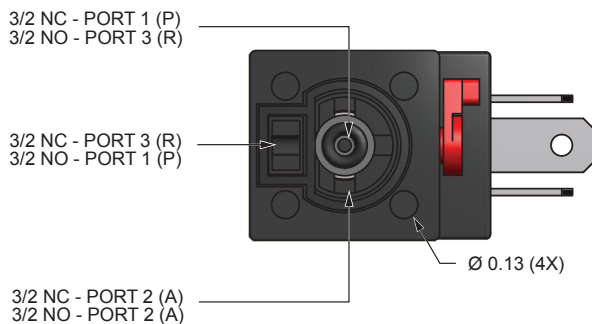
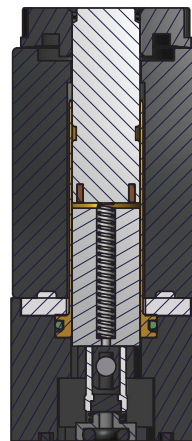
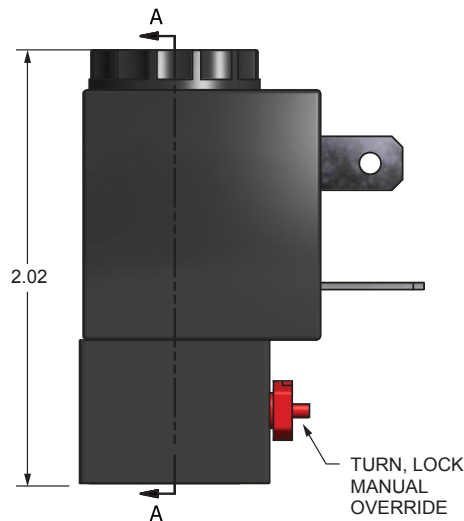
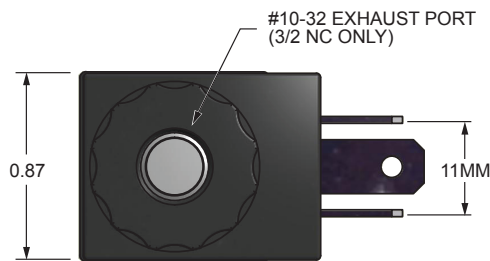
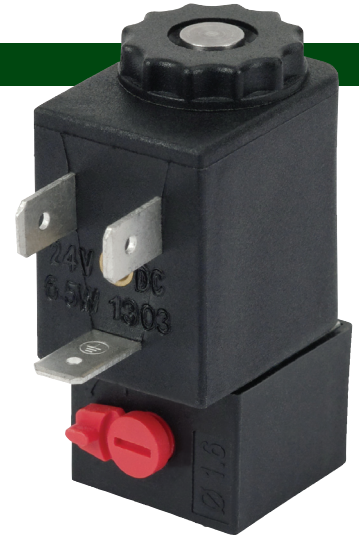
Series 38KRI

Solenoid Operators 2-Way & 3-Way Manifold Mount Pilot Assembly

The Spartan Scientific Series 38KRI is a miniature solenoid operator pilot assembly designed to control inert gases and liquids and is made to easily mount to a flat manifold surface. The 38KRI features a fully molded coil assembly that is available in spaded or flying lead configurations. The plunger and tube assembly are made from highest quality materials and exacting standards for long life and reliability. The valve body comes with turn locking manual override as standard. It can be assembled quickly to a manifold block by use of two screws (provided). The 38KRI is unique due to the fact that the valve has an internally piloted exhaust making the Normally Open version less expensive by having all of the ports contained within the valve body. Features the DIN 43650 Form "B" Industrial Standard quick connect interface.

Dimensional Data

ALL DIMENSIONS ARE IN INCHES UNLESS OTHERWISE NOTED



MOUNTING HOLE / PASSAGE PATTERN



Series 38KRI

Solenoid Operators 2-Way & 3-Way Manifold Mount Pilot Assembly

Technical Data

Function: 3-Way, 2-Position; Solenoid Operating Pilot;
Normally Closed, Normally Open

Orifice Sizes / Flow Factor:

	Main Body	Exhaust
1.2mm / 0.05 Cv	1.4mm	
1.4mm / 0.05 Cv	1.6mm	
1.6mm / 0.66 Cv	1.6mm	

Note: All values shown are for pressure rating of 90 psi

Pressure Range: 0 to 150 psi (depending on orifice size and function)

Temp. Range: Fluid max.: +10° to +50°C
Dry Range: Ambient +10° to +50°C

Response Time: 8 to 15ms Complete Cycle

Media: Air, inert gases

Manual Override: Turn Lock

Environment Protection: IP65 (IEC 144), NEMA 4
Dust-tight and water resistant (with electrical connector)

Mounting: M3 x 0.5 20mm long flathead mounting screws (2)

Wetted Materials: Elastomers: EPDM, FKM, NBR
Operator: 300 and 400 Series Stainless Steel and Brass
Shading Ring: Copper
Springs: 300 Series Stainless Steel
Valve Body: Glass-Filled Polyester

Coil Data: Duty Cycle: Continuous (within specifications)
Encapsulation: Glass-Filled Nylon
Insulation: Class F
Power Rating: 6.5 Watt VDC, 8.5 VA VAC (others available on request)
Voltage: 6, 12, 24 VDC
24, 120, 220, 240VAC 50/60 Hz
Voltage tolerance: +/- 10% Nominal
Winding: Class H

Connections: Spades: Terminals AMP 6.3x0.8 width 11mm (Available in DIN 43650 Form "A" / ISO 4400, N175301-803:2000 for 3.0mm orifice or larger)
Flying Lead: PVC 22 AWG, Multi-Strand Copper Wire, 300V, 12" Length

Packaged Weight: 0.20 lbs.

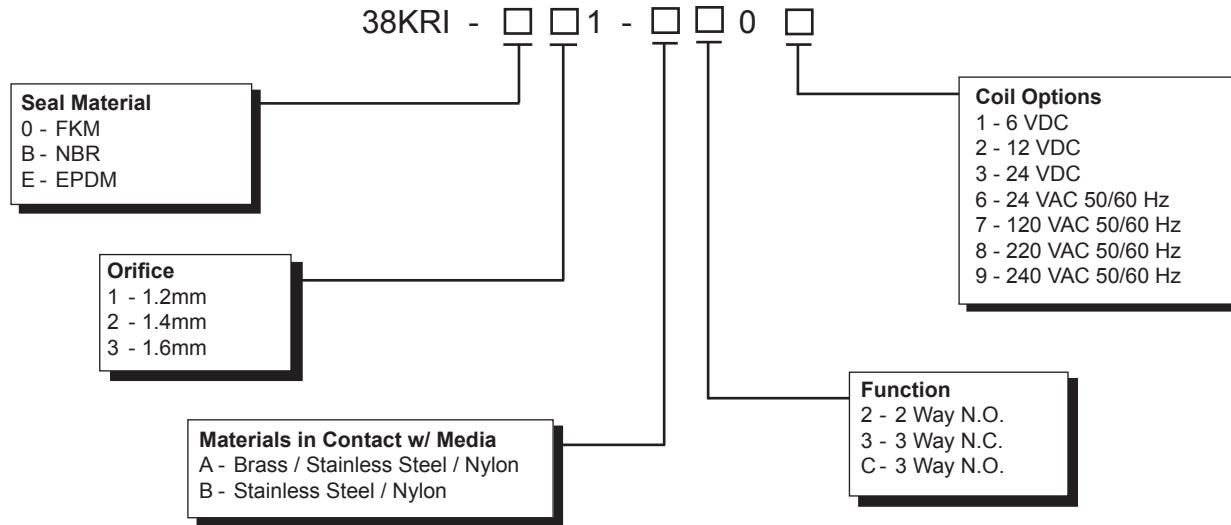
FUNCTION

ORIFICE SIZE / VOLTAGE

	1.2mm	1.4mm	1.6mm
3/2 NC	150	N/A	150
3/2 NO	N/A	100	100

MAX. PRESSURE RANGE (psi)

How To Order



Order Example: 38KRI-011-B201
FKM, 1.2mm Orifice, Stainless Steel /
Nylon, 2 Way N.O., 6VDC