



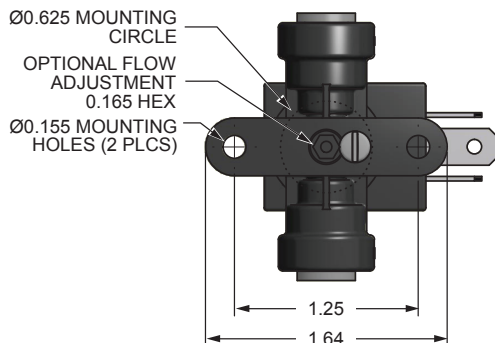
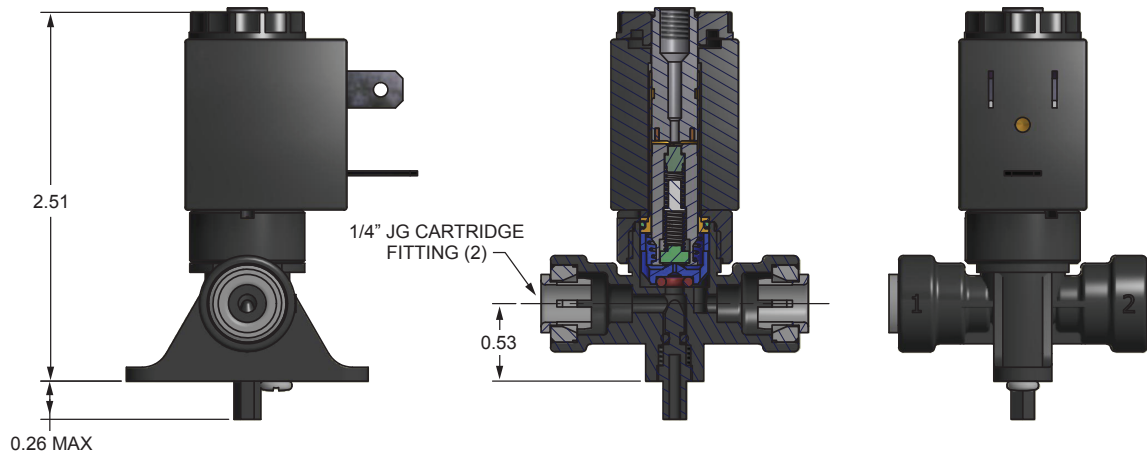
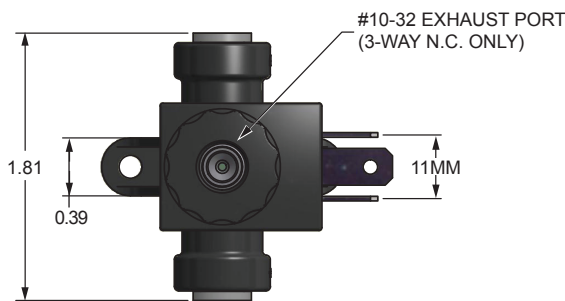
Series 3825

Direct Acting
Composite 2-Way & 3-Way

The Spartan Scientific Series 3825 is a composite body solenoid valve featuring integrated .250 inch O.D. quick connect tube fittings right in the valve body. Advantages include reduced leak points and a lower installation cost. Additional features include 2-Way & 3-Way, 2-Position function in either Normally Closed or Normally Open, Mixing or Diverting versions. This versatile series incorporates the orifice basket technology ensuring rapid assembly of many orifice sizes from 0.6 to 3.0 mm. A unique option is that this valve can be made with an externally adjustable flow control effectively giving the operator the ability to dial in a custom flow rate after the valve has been installed in the application. The valve coil is available in all standard voltages with flying leads or DIN quick connect and all versions are fully nylon encapsulated. The 3825 is available in media compatible materials that include stainless steel, or brass, and FDA and NSF approved thermo-plastics. Many seal materials are available with FKM as standard.

Dimensional Data

ALL DIMENSIONS ARE IN INCHES UNLESS OTHERWISE NOTED



ORIFICE SIZE / VOLTAGE

FUNCTION	0.6mm		0.8mm		1.0mm		1.2mm		1.5mm		2.0mm		2.4mm		*3.0mm	
	AC	DC	AC	DC	AC	DC	AC	DC	AC	DC	AC	DC	AC	DC	AC	DC
2/2 NC	150	150	150	150	150	150	150	150	150	150	150	150	150	150	75	60
2/2 NO	N/A	N/A	N/A	N/A	N/A	N/A	N/A	N/A	150	150	N/A	N/A	N/A	N/A	N/A	N/A
3/2 NC	150	150	150	150	150	150	150	150	150	150	90	75	60	60	25	25
3/2 NO	N/A	N/A	N/A	N/A	N/A	N/A	N/A	N/A	150	150	N/A	N/A	N/A	N/A	N/A	N/A

MAX. PRESSURE RANGE (psi)

DIRECT ACTING



Series 3825

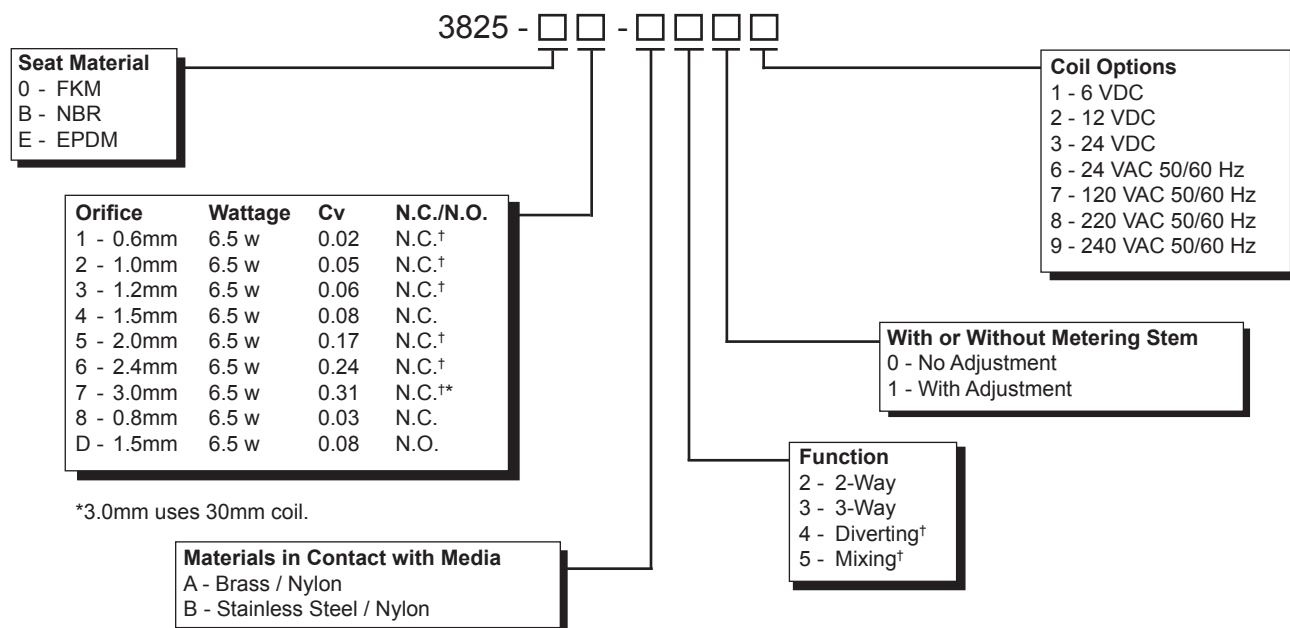
Direct Acting
Composite 2-Way & 3-Way

Technical Data

Function:	2-Way, 2-Position; Direct Acting; Diverting, Mixing, Normally Closed or Normally Open 3-Way, 2-Position; Direct Acting; Diverting, Mixing, Normally Closed or Normally Open	Mounting:	Ø0.155" Mounting holes (2)
Port Size:	1/4" O.D. John Guest tube cartridges (2)	Wetted Materials:	Elastomers: EPDM, FKM, NBR Operator: 400 Series Stainless Steel and Brass (others available on request) Shading Ring: Copper Springs: 300 Series Stainless Steel Valve Body: Acetal Resin (others available on request)
Orifice Sizes / Flow Factor:	0.6mm / 0.02 Cv 0.8mm / 0.03 Cv 1.0mm / 0.05 Cv 1.2mm / 0.06 Cv 1.5mm / 0.08 Cv 2.0mm / 0.17 Cv 2.4mm / 0.24 Cv 3.0mm / 0.31 Cv	Coil Data:	Duty Cycle: Continuous (within specifications) Encapsulation: Glass-Filled Nylon Insulation: Class F Power Rating: 6.5 Watt VDC, 8.5VA VAC (others available on request) Voltage: 6, 12, 24 VDC 24, 120, 220, 240VAC 50/60 Hz Voltage Tolerance: +/- 10% Nominal Winding: Class H
Pressure Range:	Vacuum to 150 psi (depending on orifice size and function)	Connections:	Spades: Terminals AMP 6.3x0.8 width 11mm (Available in DIN 43650 Form "A" / ISO 4400, N175301-803:2000 for 3.0mm orifice or larger) Flying Lead: PVC 22 AWG, Multi-Strand Copper Wire, 300V, 12" Length
Temp. Range:	Fluid max.: +60°C Dry Range: Ambient +10° to +50°C	Package Weight:	22mm Coil: 0.23 lbs. 30mm Coil: 0.36 lbs.
Response Time:	14 to 20ms Complete Cycle		
Media:	Air, caustics, light oils, potable water, water (contact factory for compatibilities)		
Environment Protection:	IP65 (IEC 144), NEMA 4 Dust-tight and water resistant (with electrical connector)		

DIRECT ACTING

How To Order



Order Example: 3825-01-A307
FKM, 0.6mm orifice, 0.02 Cv, N.C., Brass / Nylon,
3-Way, without metering stem, 120 VAC 50/60 Hz

† Not available in all configurations