

# LED UFO High Bay – Gen 2

LUHB2 Series – Wattage Tunable, Sensor Ready

Project:	
Catalog#:	
Approved by:	

## Features

- ADC12 Aluminum die-cast heatsink
- Ultra-durable Powder Coat Paint
- Standard Color Black
- Polycarbonate lens, High light transmittance, Anti-UV, Fire Resistant
- Comes standard with a high bay hanging hook. Pendant mount possible using 1/2" threaded housing on top
- Fixtures include approx. 11 inch long dimming leads and approx. 3 ft long input power cable stripped at ends
- Color Temperature: 5000K standard (cool white)
- Color Rendering Index (CRI): > 80
- Long LED life; L<sub>70</sub> > 150,000 hours
- Rated for Ambient Temperatures between -40°C/-40°F to 50°C/122°F
- **Wattage Tunable:** 150\*/100/80/50W & 300\*/240/200/150W
- Sensor receptacle preinstalled – sensor sold separately
- Power Factor > 0.9, Total Harmonic Distribution < 20%
- Dimmable: 0-10Vdc
- Distribution: 90° beam angle standard
- UL/cUL Listed
- IP65
- Warranty: 5 years

## Applications

- Warehouse
- Auditorium
- Retail Space
- Manufacturing Facility



## Ordering Information

Model Name	Color Characteristics	Field Selectable		Input Voltage	Surge Protection	Distribution	Dimensions (inches)	Comparable to HID
		Input Power (W)	Delivered Lumens					
<b>LUHB250BMVM</b> <sup>1,2</sup> <u>motion sensor ready</u>	5000K > 80 CRI	<b>150W*, 22,200 Lumens</b> <i>can also be tuned to 100/80/50W</i>		100–277V 50/60Hz	4kV	90° beam angle	Diameter – 12.6" Height – 7.8"	400W
<b>LUHB250DMVM</b> <sup>2</sup> <u>motion sensor ready</u>		<b>300W*, 42,000 Lumens</b> <i>can also be tuned to 240/200/150W</i>					Diameter – 15.7" Height – 8.0"	1000W

\*Default settings at factory. <sup>1</sup> Available 2Q 2022. <sup>2</sup> Sensor sold separately.

## Field Installed Accessories



**LUHB2-MSE**

Microwave Motion sensor for use with sensor ready models only. Max. 32ft mounting.



**LUHB2-RC**

Remote Control for LUHB2-MSE Motion Sensor



**LUHB2-PA**

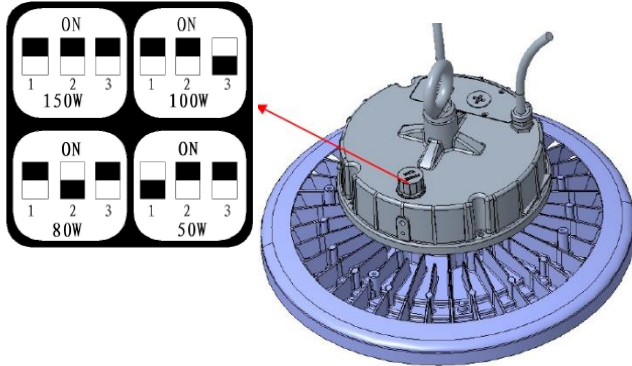
Pendant Adaptor for 1/2" or 3/4" threaded housing. Useful for cable rerouting.

**LED UFO High Bay – Gen 2**

LUHB2 Series – Wattage Tunable, Sensor Ready

Project:	
Catalog#:	
Approved by:	

**Wattage Tuning**



**Photometrics (150W model)**

