

Product Description:

- GloveCatcher® Tray by BOWMAN®
- Accessory for glove box dispensers
- Attaches to any glove dispenser holding the glove box(es) horizontally
- Secures to dispenser using double-sided mounting tape (attached)
- Additional trays may be added to dispensers that hold multiple glove boxes
- Clear PETG Plastic

Primary Area for Product Usage:

- Anywhere boxes of gloves are needed

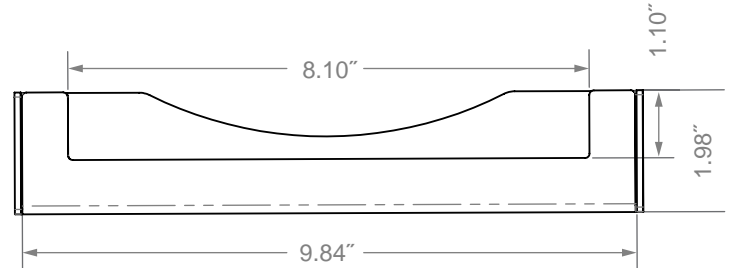
Fits:

- Glove box dispensers with solid faces no smaller than 10.50"W (26.7 cm)

Product Specifications (overall external dimensions):

- 9.84"W x 1.98"H x 3.00"D (25.0 cm x 5.0 cm x 7.6 cm)
- 0.3 lbs (0.1 kg) - approximated

Mounting Specifications:



Companion and Alternate Products (each sold separately):

- GLX00-0212: GloveCatcher® Tray by BOWMAN®, ABS
- GL100-0212: Glove Box Dispenser - Single
- GLO20-0212: Glove Box Dispenser - Double with Dividers
- GL300-0212: Glove Box Dispenser - Triple with Dividers
- GLO40-0212: Glove Box Dispenser - Quad with Dividers



3x GLX00-0212 GloveCatcher Trays shown in use on GL300-0212 (each sold separately)

Package Specifications:

- Package Quantity: 12 per case
- 14"W x 12"H x 9"D (35.6 cm x 30.5 cm x 22.9 cm)
- 6.0 lbs (2.7 kg) - approximated

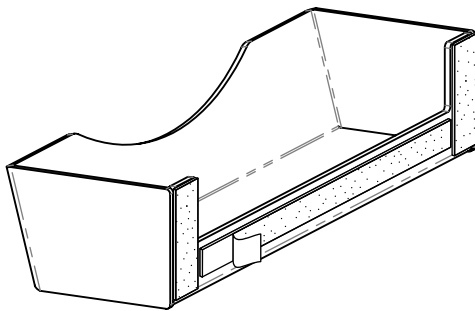




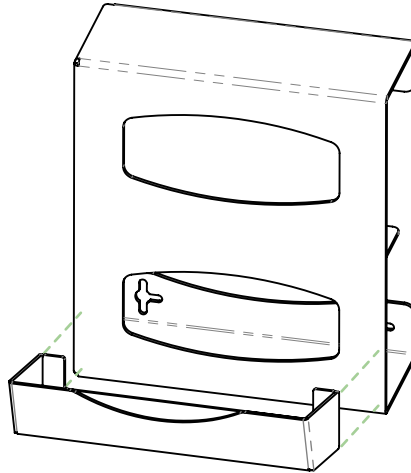
Installation

Always mount dispensers securely *prior* to loading with product.

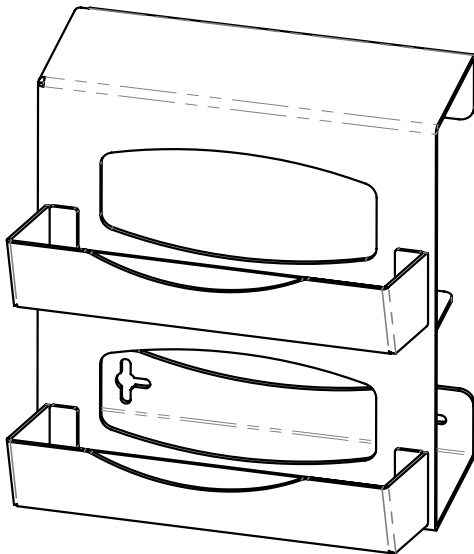
- Remove tape backing
- Line up bottom of tray to bottom of glove box section
- Firmly press tray to dispenser
- Allow to set 6 hours to fully adhere



1



- Additional trays can be added to dispensers that hold multiple glove boxes



2

Parts included:

- Dispenser

Tools Required:

- No tools required to assemble dispenser

Care and Construction

PETG Plastic

Material Characteristics

Designed for Long-Term, Heavy-Duty Applications

Copolyester resin is designed for heavy-duty applications and is frequently used by BOWMAN® Dispensers.

Copolyester (PETG) is typically 15-20 times tougher than general purpose acrylic. PETG is made to withstand handling and reduce losses due to breakage.

PETG resists a variety of chemicals and commonly used cleaning agents. It is tough and durable (not brittle), providing years of trouble-free functionality and long life.

Clear optical characteristics mean the viewer can see the content, read text, and see true colors through the material. It complies with FDA regulations for food contact.

Care and Cleaning

Most cleaning chemicals do not weaken the surface or cause damage to the material. Suggested cleaning method is to use a soft cloth, warm water, and mild soap.