

Iron Body Grooved Check Valve

Horizontal Swing • Renewable Seat and Disc • AWWA C550 Epoxy Coated

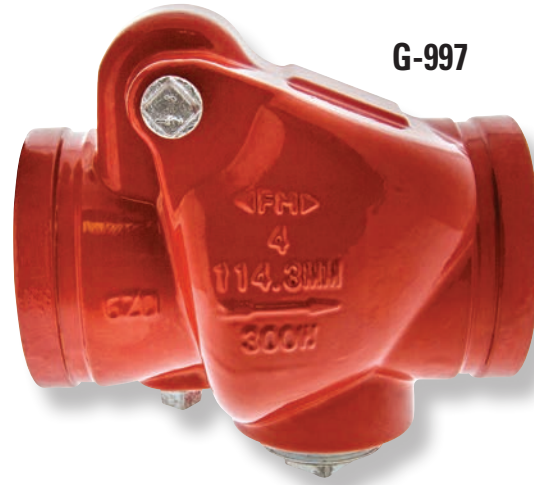
300 PSI (20.7 BAR) Non-Shock Cold Water to 32°F (0°C) to 180°F (82°C)
Grooved End Connections 2" through 12" Sizes for Fire Protection Water Service

UL LISTED* • FM APPROVED**



MATERIAL LIST

PART	SPECIFICATION
1. Body	Ductile Iron ASTM A536 65-45-12
2. Spring ¹	Stainless Steel S30400
3. Hanger Pin	Stainless Steel S42000
4. Hanger Arm	Ductile Iron ASTM A536 65-45-12
5. Seat	Bronze ASTM B62
6. Seat Disc ¹	EPDM
7. Plate	Ductile Iron ASTM A536 65-45-12
8. Washer ¹	Stainless Steel S30400
9. Nut ¹	Stainless Steel S30400
10. Stud ¹	Stainless Steel S30400
11. Plug	Malleable Iron Galvanized
12. Plug	Malleable Iron Galvanized
13. Plug	Malleable Iron Galvanized
14. Eyebolt	Steel Zinc Plated



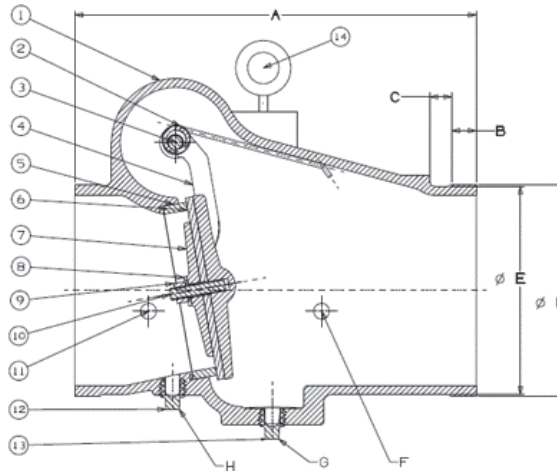
G-997

* Compliance with the Standard for Check Valves for Fire Protection Service, UL 312.

**FM Approval Class 1210

¹Included in Repair Kit

Repair Kit Available



DIMENSIONS — WEIGHTS

VALVE SIZE	A	B	C	ØD	ØE	F	G	H	WEIGHT	REPAIR KIT
inch mm	inch mm	inch mm	inch mm	inch mm	inch mm	threads	threads	threads	lbs kg	number
2 50	6.75 171	0.63 16	0.31 8	2.38 60	2.25 57	1/2" NPT	1/2" NPT	3/8" NPT	7 3.3	NLN303DS
2½ 65	7.25 184	0.63 16	0.31 8	2.88 73	2.72 69	1/2" NPT	1/2" NPT	3/8" NPT	8 3.6	NLN303ES
3 80	7.75 197	0.63 16	0.31 8	3.50 89	3.34 85	1/2" NPT	1/2" NPT	3/8" NPT	10 4.7	NLN303FS
4 100	8.25 210	0.63 16	0.38 9.5	4.50 114	4.33 110	1/2" NPT	1/2" NPT	1/2" NPT	16 7.3	NLN303HS
5 125	9.85 248	0.63 16	0.38 9.5	5.56 141	5.39 137	1/2" NPT	1/2" NPT	1/2" NPT	20 9.9	NLN303JS
6 150	12.75 324	0.63 16	0.38 9.5	6.63 168	6.45 164	1/2" NPT	1/2" NPT	1/2" NPT	36 16.2	NLN303KS
8 200	14.62 371	0.75 19	0.44 11	8.63 219	8.44 214	1/2" NPT	1/2" NPT	1/2" NPT	60 27.2	NLN303LS
10 250	18.00 457	0.75 19	0.50 12.5	10.75 273	10.56 268	1/2" NPT	1/2" NPT	1/2" NPT	114 25.0	NLN303MS
12 300	21.00 535	0.75 19	0.50 12.5	12.75 324	12.53 318	1/2" NPT	1/2" NPT	1/2" NPT	166 75.7	NLN303NS