



### **AP275-705N4X** Combination Strobe Light and Alarm Horn for Safety Stations, with Remote Sensing Flow Switch, NEMA 4X Rated Components

**Application:** Combination strobe light and alarm horn unit for safety stations. Strobe light activates and alarm horn sounds loudly when eyewash or shower is activated. NEMA 4X components provide standard NEMA 4 protection with an added level of corrosion resistance. Ideal for use in areas where corrosive materials and caustic cleaners such as disinfectants are used. Furnished with additional contacts for connection to remote monitoring system.

**Installation:** Unit is designed for use with combination safety stations, and can be mounted on either the vertical pipe of the station or on a wall adjacent to the unit. 120 volt, 0.3 amp electrical supply is required.

**Visual Signal:** Amber strobe light with shatter-resistant lens. Peak candlepower of 2,000,000 and flash rate of 60 FPM.

**Audible Signal:** Horn delivers distinctive, urgent signal. Volume is preset at 100 db at 10 feet. An adjustment screw on the front of horn allows adjustment of output sound level.

**Flow Switch:** 1-1/4" IPS double pole, double throw waterproof flow switch for installation in water supply line to emergency unit. Switch senses flow of water when either the eyewash or shower is activated. Additional contacts send electrical signal to remote monitoring location. Flow switch must be installed with tee fitting in horizontal position, flow switch body in vertical position and at least 6" from closest fitting. Direction of flow is marked on switch body.

**Mounting:** Furnished complete with bracket for mounting on vertical pipe or wall, junction box and 5 foot flexible cord and receptacle. Electrical connection by others.

**Quality Assurance:** Unit is fully assembled, wired and factory tested prior to shipment.

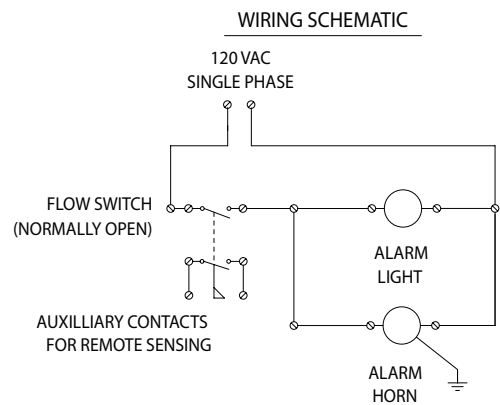
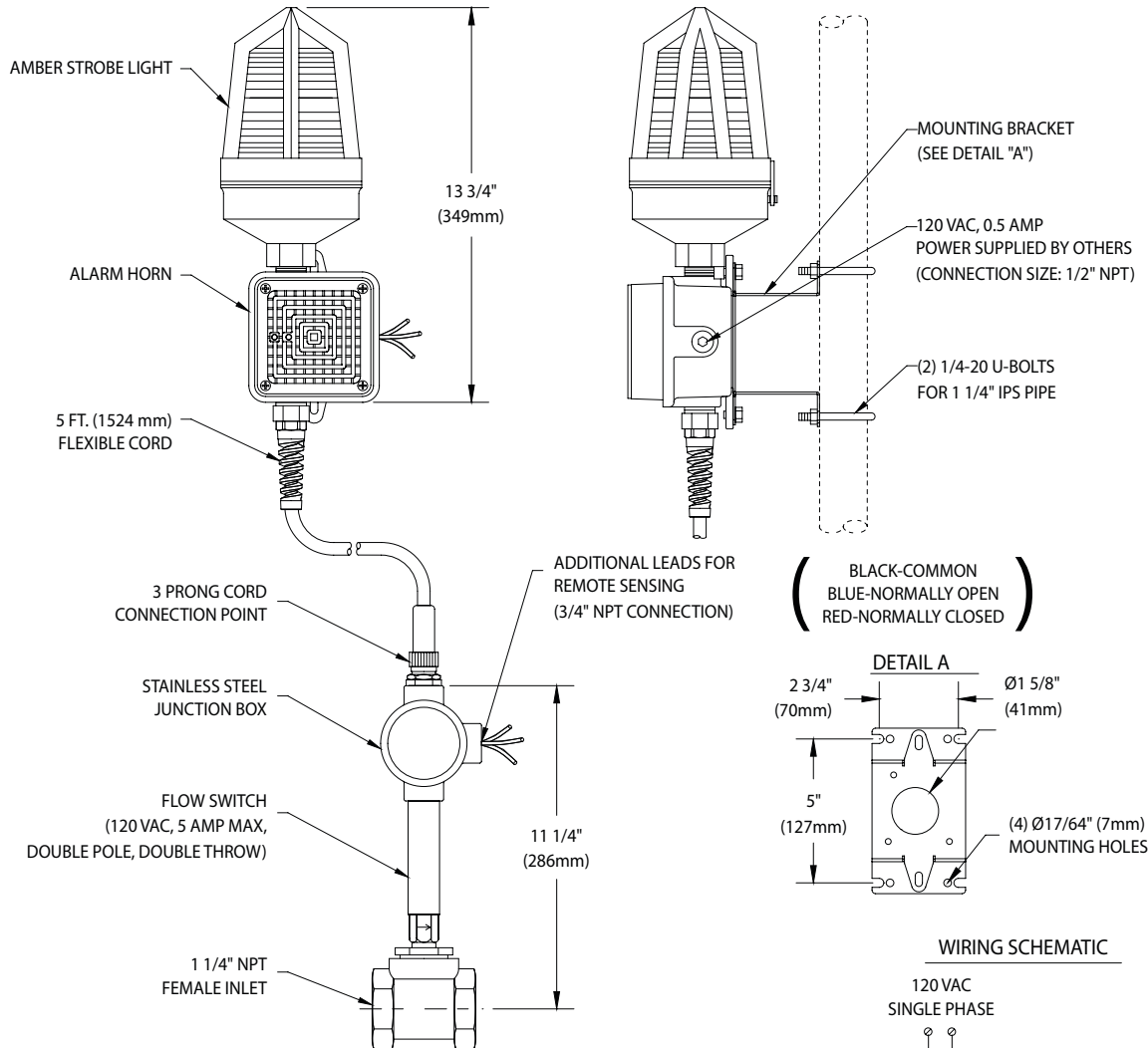
#### Available Option

**SW** Silencing switch for alarm horn.





### AP275-705N4X Combination Strobe Light and Alarm Horn for Safety Stations, with Remote Sensing Flow Switch, NEMA 4X Rated Components



#### NOTES:

1. FLOW SWITCH IS DESIGNED TO ACTIVATE AT 0.75 GPM AND DEACTIVATE AT 0.60 GPM.
2. FLOW SWITCH MUST BE INSTALLED VERTICALLY IN A HORIZONTAL PIPE RUN, UPSTREAM OF UNIT AND AT LEAST 6" FROM FITTING.
3. SOUND OUTPUT ON HORN IS ADJUSTABLE FROM 0 TO 100 dB AT 10 FT.
4. COMPONENTS MEET NEMA 4X OR EXCEED REQUIREMENTS.

THIS SPACE FOR ARCHITECT/ENGINEER APPROVAL