



# ABLOY® EL460, EL461, EL462, EL463

## High security DIN standard handle controlled lock for narrow profile doors

### Product description

High security locks EL460/461/462/463 are used especially in situations where the advantages of handle-controlled unlocking have to be combined with the mechanical security requirements. The integrated monitoring contacts from the lock can be connected to the different systems.

When door closes, dead bolt is thrown out automatically, double action latch is blocked and the lock case is secured in two points.

The exit side settings (EL460/462) and selecting between fail-locked and fail-unlocked can be performed on the lock as required.

#### EL460/462 with split spindle function

Outside handle is engaged electrically, e.g. by electric access control. By pressing engaged handle, dead bolt is retracted and double action latch released.

Inside handle opens lock mechanically (exit function), no need for electric control.

#### EL461/463 with straight spindle function

Both handles are engaged electrically e.g. by electric access control. By pressing engaged handles, dead bolt is retracted and double action latch released.

### Overview of Advantages

- Mechanical automatic locking system
- Non handed
- Exit side can be changed over \*
- Can be changed between fail-unlocked & fail-locked
- Burglary-resistant due to dead bolt with 20 mm throw
- Exit function by inside handle \*
- Suitable for fire doors
- Controllable outside handle \*
- Mechanical override with cylinder
- Monitoring functions
  - Door status
  - Handle down
  - Bolt deadlocked
  - Bolt in
  - Key cylinder used
  - Sabotage loop

\* EL460/462

### Scope of delivery

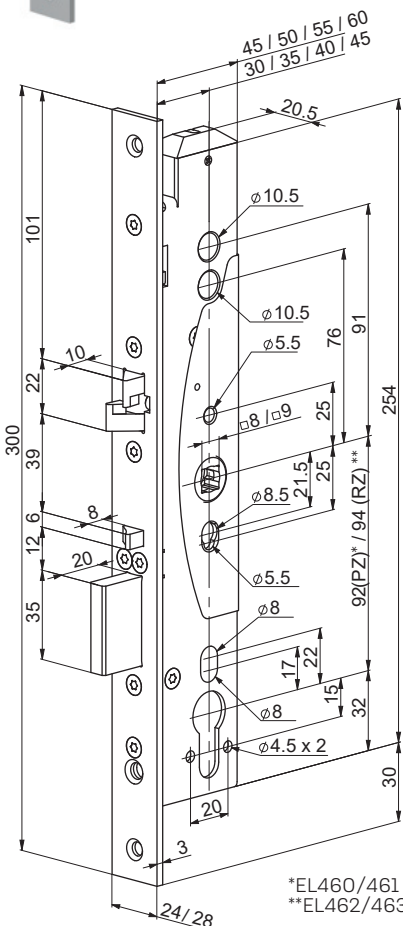
- 1 pcs lock case
- Operating manual

### Ordered separately

- Strike plate (e.g. EA330)
- Cable EA218 (6m) / EA219 (10m)
- Lead cover EA280/281
- Handle set (e.g. EH006/0750) and spindle
  - Split spindle EA288/289 with EL460/462
- Cylinder(s) (e.g. CY321T)

### Technical data

Handing	Non-handed
Exit function	Yes (EL460/462)
Mechanical cylinder override	Yes
Latch	Double action latch
Dead bolt	Yes, 20mm
Input operating voltage	12-24 VDC
Rated current consumption	12 V DC idle 240 mA, max. 550 mA 24 V DC idle 130 mA, max. 300 mA
Microswitch capacity (monitoring contacts)	Max. 0.5 A 30 V AC/DC resist. 10 W
Suitable for fire doors	Yes
EN 14846:2008	3S8D-L611
EN 179:2008	376B1342AB (EL460/462)
EN 1125:2008	376B1321AB (EL460/462)



\*EL460/461  
\*\*EL462/463

This content is protected by Intellectual Property Rights Laws. The title to the content shall not pass to you, and instead shall remain with Abloy Oy or a third party holding the title. Abloy develops continuously the products and solutions offered. Therefore, the information contained in the document is subject to change without notice. ABLOY PROVIDES THIS CONTENT ON AN "AS IS" BASIS WITHOUT ANY WARRANTIES OF ANY KIND, EXPRESS, IMPLIED, OR STATUTORY."